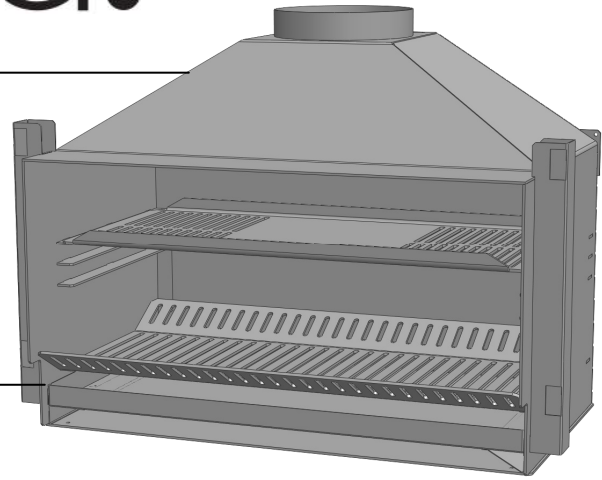


Installation & User Manual

EW5000

Outdoor Cooking Fire



IMPORTANT: Please read this manual before installing and using the ESCEA EW5000 Cooking fire. Failure to follow these instructions may lead to a possible fire hazard and will void the warranty.

Safety

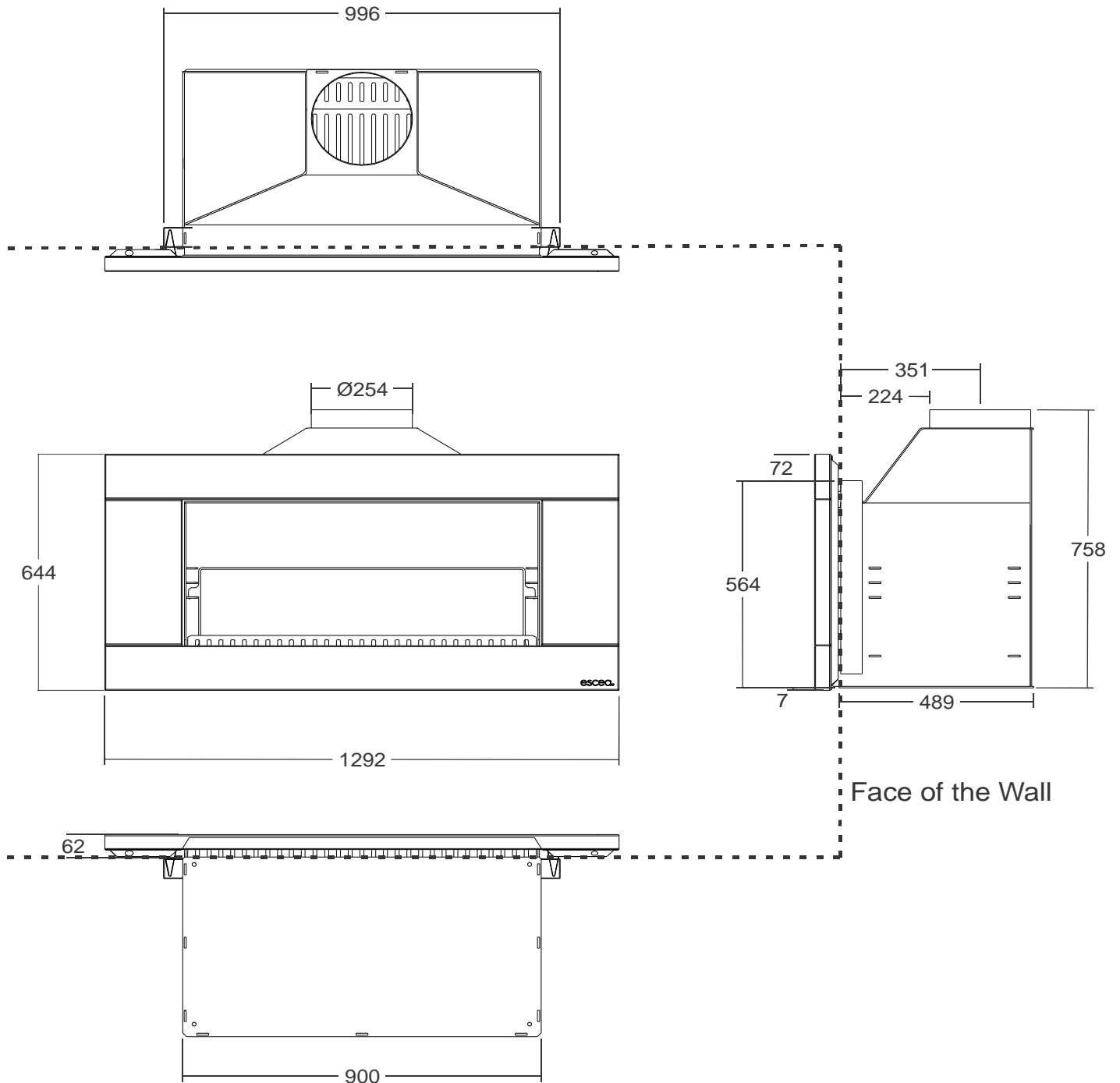
- A lit fire must not be left unattended at any moment.
- The fireplace must only be used for heating and cooking as intended.
- Maintain and operate fireplace in accordance with these instructions.
- Do not use flammable liquids and aerosols to start or rekindle a fire.
- Do not place any combustibles in front of the fire as some firewood may spit sparks.
- Do not touch the surfaces as they can be very hot, even after the fire has burnt out.
- Ensure correct installation.
- Do not modify the firebox and use only an ESCEA fascia.
- Do not operate the fire without the fascia or flue system.
- Young children should be carefully supervised when they are in the same area as the cooking fire. Toddlers, young children and others may be susceptible to accidental contact burns. And must not operate the cooking fire. A physical barrier is recommended if there are at risk individuals in the house. To restrict access to a fireplace or stove, install an adjustable safety gate to keep toddlers, young children and other at risk individuals out of the area and away from hot surfaces.
- Take care when installing to prevent injury as this product is heavy.

1.0 Product Description:

The ESCEA EW5000 Wood Burning Cooking Fire is designed for outdoor use only. The fire is designed to burn wood and charcoal only. This appliance requires a flue and must be installed into a non combustible cavity.

- 1.1 Serial number can be found in the lower left of the fire underneath the receptacle for the fascia hooks, to access this the fascia must be removed as detailed in section 5.0 of this manual.
- 1.2 Retain this manual for future reference.

2.0 Product Dimensions (mm):



3.0 Installation:

The ESCEA EW5000 is for outdoor use only. Always check with your local city council for additional restrictions prior to installation. Consider the topography of the land and the prevailing wind to ensure optimal performance before installation. Care also needs to be taken to ensure your fireplace will not cause any nuisance to your neighbors from smoke, ash or smells.

ALWAYS ENSURE THAT THIS PRODUCT IS INSTALLED TO COMPLY WITH ALL LOCAL AND NATIONAL BUILDING CODES.

3.1 The ESCEA EW5000 firebox and the flue system **must be installed into a fully non combustible fireplace construction on all surfaces surrounding the fireplace**, eg top/bottom/sides/back. Materials to be used can be e.g. solid concrete, concrete/masonry blocks, bricks or Hebel blocks/panels. Do not use timber framing.

3.2 Be careful to position the firebox so the bottom lines up with your wall. If the wall lines up with the top or sides, the fascia will not fit on. Use the provided holes in the base to fix the firebox firmly down.

There are an additional 2 holes in the bottom corners of the rear panel. If these are not utilized as fixing holes, they should be 'blanked off' with a suitably sized nut and bolt (not supplied).

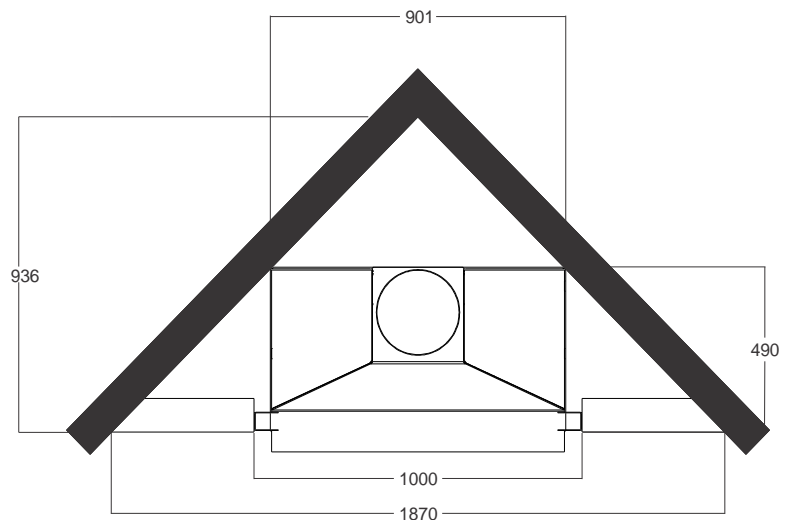
3.3 Depending on material choice some heat may be conducted through the surrounding cavity and consequently no combustible materials should come into contact with these hot surfaces. This is completely dependant on the chosen material and design of installation. The user should satisfy themselves that the installation is fit for purpose and complies with all local and national codes.

3.4 **Cavity Size:**

A minimum cavity size of **W1000 x D490 x H760 mm** is needed. This is a minimum and where possible, it is recommended that the cavity is made slightly larger than the above dimensions to give the installer the maximum amount of space to work in. The opening of the cavity must be at minimum **W1000 x H570 mm** and at maximum **W1230 x H610 mm** in order for the fascia to cover the opening. Note the firebox does not slide in through this opening and has to be installed before the bricklaying is finished.

3.5 **Corner Installation:**

Note all dimensions are a minimum.
All walls surrounding the firebox must be non combustible.



3.6 **Clearance:**

Any combustibles in front of the fireplace need to be no less than 3 meters from the opening of the fire and 500 mm to each side. The fireplace must not be recessed. Also check with your city council for local restrictions.

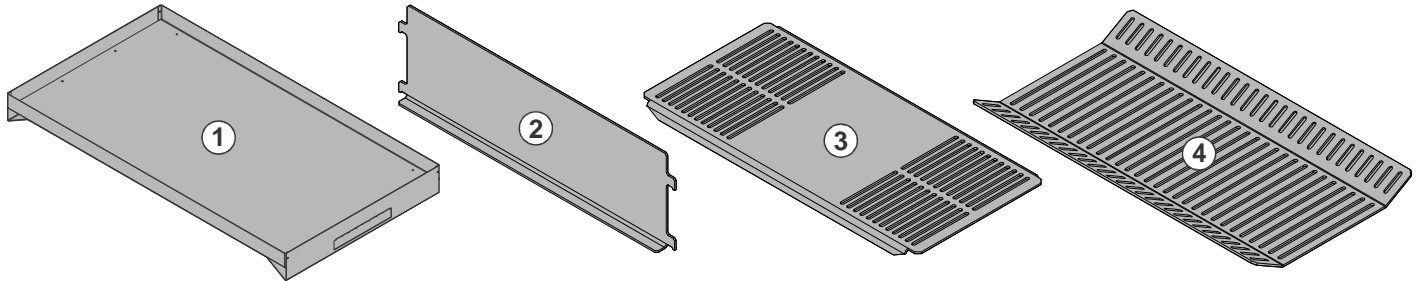
3.7 **Flue System:**

The flue system requires the use of 250Ø stainless steel flue and cowl. It is recommended to use a minimum of 2.4 meter of flue to create adequate draw. Flue clearances must adhere to local codes. Flue parts can be provided by ESCEA at your local ESCEA retailer/supplier.

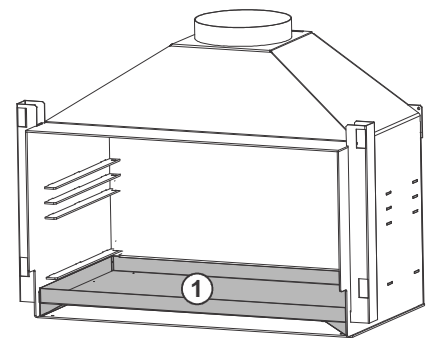
4.0 Placement of interior parts:

TAKE CARE WHEN HANDLING ALL INTERIOR PARTS AS THEY ARE HEAVY AND MAY CAUSE INJURY IF DROPPED OR HANDLED INCORRECTLY.

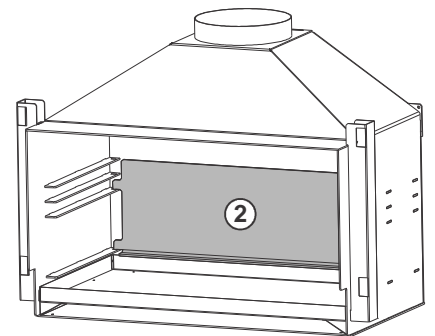
- 4.1 First remove the following parts secured inside the firebox for transit and remove and discard of all protective packaging including white plastic end caps.



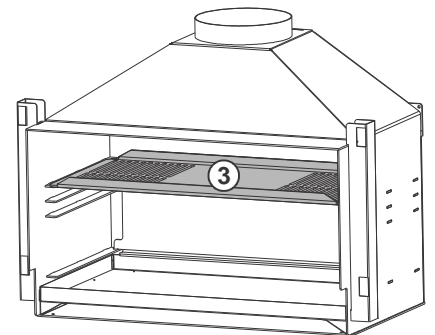
- 4.2 Insert the **Ash Pan (1)** into the base of the fire as shown



- 4.3 Insert the **Rear Heat Deflector (2)** into the fire as shown with the flange at the bottom facing forwards. The Rear Heat Deflector fits in place by sitting inside the slots on the grate support brackets which run along the side of the firebox.



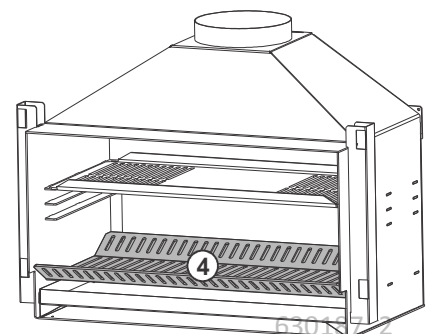
- 4.2 For cooking the **Cooking Surface (3)** can be placed on any of the three highest supports, depending of which height is desired. If not desired or when not in use, the Cooking Surface can be stored underneath the ash pan (bottom).



- 4.3 The Cooking Surface must be run on the fire for at least 1 hour prior to use to burn off any residual oils.

- 4.4 It is advisable that when not in use the cooking surface is covered in a layer of cooking oil to prevent corrosion.

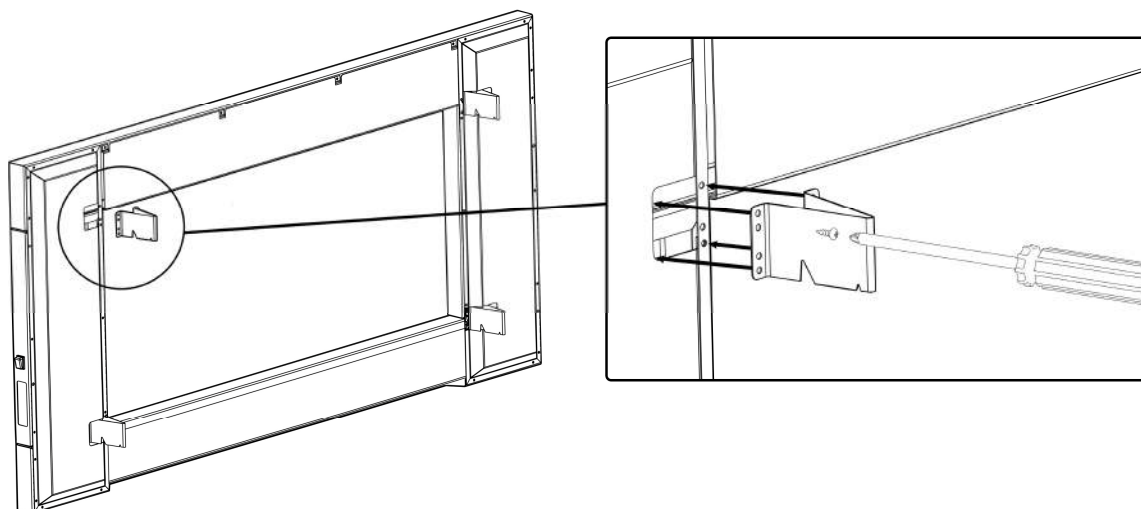
- 4.5 Finally insert the **Grate (4)** on the lowest Grate Support bracket as shown, with the flanges facing upwards.



5.0 *Fitting the Fascia:*

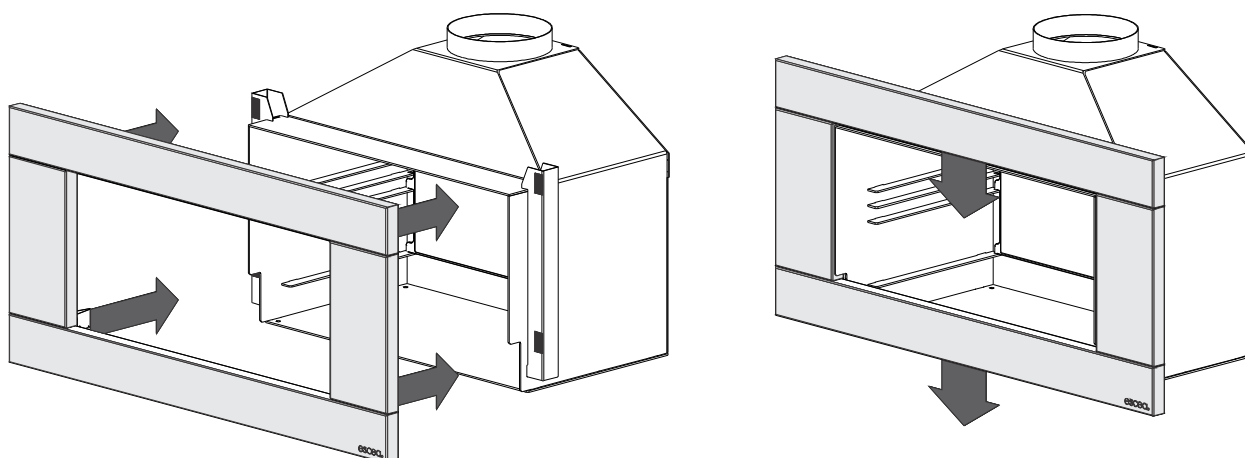
If present, remove all protective film and packaging on the fascia before proceeding with install. Do not operate the fire with any protective film in place.

Before fitting the fascia, the hooks must be attached using the screws supplied. The ESCEA EW5000 fascia is attached to the firebox by four 'hooks' on the corners of the fascia.



Line up the hooks with the receptacles on the Wood Burner pictured below, and push the fascia into position. The first slot in the hook can be used to hang the fascia in the receptacles in order to ease the attachment.

- 5.1 When you have pushed the fascia in as far as it will go, briefly push down on the fascia to secure the fascia into position.



- 5.2 To remove the fascia, simply reverse the operation.

6.0 Operating Instructions

The first fire may produce odors from the paint. If possible light and maintain a small fire for a couple of hours, this will allow the paint to cure better.

- 6.1 Always use paper, firelighters or finely split dry soft wood kindling to start a fire. Never use flammable liquid or aerosols and do not burn treated or painted wood, plywood, MDF or particleboard, as well as household rubbish, garden waste, plastics, waste oils, paint or construction or demolition waste must never be burnt. Some kind of preservative-treated wood can be hazardous. It is recommended to use dry wood or charcoal only.
- 6.2 Always be careful not to overload the fire, as this can result in over firing and logs falling out the front and cause a fire hazard.
- 6.3 If you need to extinguish a fire quickly, smother it with loose soil or sand. Avoid using water, except in emergencies, as this may lead to the development of rust, if not dried completely. Never leave a lit fire unattended.
- 6.4 Do not place the baking plate directly over flames, wait until the fire has burnt down to embers or use charcoal.

7.0 Maintenance

The ash pan should be removed and cleaned out before it is full to the brim. To get access to the ash pan first remove the fascia (see correct operation). Ensure the pan and ashes are cool before handling.

- 7.1 It is very important that the flue is swept and cleaned for soot to reduce the risk of a chimney fire and to ensure the performance of the fireplace. This should be done at least once a year, as soot can build up quickly. Cold climate and burning of green or wet timber, increasing soot buildup.
- 7.2 To keep the fire clean, sweep the firebox with a soft cloth when the firebox is cool. Never try to clean the firebox or fascia when they are hot. Cleaning the firebox in the end of the season and spraying with high temperature *Stove bright* paint will extend the life of your firebox. Ensure all surfaces are perfectly cleaned before applying paint. Also to extend the life of the firebox keep it clean at all times.

8.0 Cleaning the Fascia

The fascia must be cold before starting any form of cleaning.

For cleaning a stainless steel fascia, the following products are recommended; 3M Stainless steel cleaner, or methylated spirits with a clean cloth

For cleaning the powder coated Fascia, use soapy water and a sponge or a clean cloth.

8.0 Warranty

Provided the ESCEA EW5000 firebox is installed to the manufacturer's specifications and operated in accordance with these instructions, the warranty shall cover a period of **5 years from the date of purchase**.

8.1 Damage as a result of over firing or use of incorrect fuel such as flammable liquids and aerosols, is not covered in the warranty.

8.2 Not covered by the warranty:

- Back protector shield (consumable)
- Grate (consumable)
- Stovebright paint (see maintenance)
- Accessories (fascia, baking plate etc.)
- Flue system
- Rust

8.3 Correct installation must be maintained to comply with ESCEA warranty's.

8.4 ESCEA is not responsible for damage arising from failure to follow instructions for the product's installation, maintenance and permitted and proper use. The Limited Warranty does not cover damage caused by accident, abuse, misuse including burning of non intended fuels, weather, fire, flood, earthquake or other external causes. Products where an ESCEA serial number has been removed or defaced, cosmetic damage including, but not limited to, scratches. Normal fair wear and tear are also not covered.

Due to continued product improvement ESCEA Ltd. reserves the right to change product specifications without prior notifications.