



gas log fires
freestanding & inbuilts

why choose Regency?

An exceptional fire, custom elegance and controllable heat are just a few reasons to make a Regency fire part of your family.

In 1979, I founded Regency Fireplace Products with a mission to produce the finest fireplace products available anywhere. As a result, Regency has been honoured with awards for exceptional aesthetics and performance and is known as the premium brand around the world. We have been dedicated to providing Australia & New Zealand with Regency fires for over 20 years: committed to creating products that promote comfort and peace of mind.

I am so confident in the quality workmanship, the finest materials and durable heavy-duty construction invested in each and every product, that I offer a Limited Lifetime Warranty. Invite the comfort, efficiency and style of a Regency gas or wood fire into your home and enjoy quality time for a lifetime - I guarantee it.



Robert Little
Founder & CEO





Regency IG-34 shown with slim line fascia (without mandatory dress guard).

why choose a gas inbuilt?

A Regency Gas Inbuilt is a specially engineered, sealed gas fire that slips into your existing masonry or pre-fab fireplace to create a high efficiency heating system with a stunning fire. The sealed firebox means that you will keep all of the heat generated by your Regency inside your home. Even when your gas inbuilt is turned off, you will not lose heat up your chimney.



Above: IP28 shown with the Modular Fireplace Solution and slim line fascia



IP28 shown with Slimline Fascia

Modular Fireplace Solution

We've incorporated the popular Regency IP-28 gas inbuilt into an extraordinary contemporary mantle kit that is as impressive in looks as it is in ease of install. The glass top and modern design make this the ideal instant fireplace package.

Standard Features

- Natural gas or propane
- Stainless steel heat exchanger & burner
- Powerful 2 speed fan
- Electronic ignition
- Rear flued power venting system
- 6.49kW (output) - 29MJ NG/LPG (input)

Optional Features

- Contemporary or Slim Line Fascia
- Stainless steel inner reflective panels
- Modular Fireplace Solution kit
- Advanced remote control
- Zero Clearance kit to create your own fireplace
- LPG conversion kit





IP-28 gas inbuilt

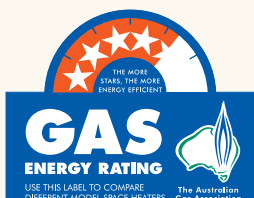
Above: IP28 shown with Modular Fascia & optional infill panel



IP28 shown with Contemporary Fascia

Supreme Convenience

Transform your drafty fireplace to a modern room sealed heater. Rated at 4.3 stars, the Regency IP28 combines modern style with the efficiency and convenience of a realistic gas log fire. Like all Regency Gas Inbuilts, the contemporary IP28 will fit into most existing chimneys or can be built into a combustible cavity. With amazing heat output other key features include clean straight lines, choice of fascias; a powerful 2 speed fan; and optional stainless reflective panels to amplify the appearance of the fire.



* Note: Pictures are shown without the mandatory dressguard.



IG-34 gas inbuilt

Above: IG-34 shown with contemporary fascia & dress guard.

Design to suit your décor

The IG-34 gas log inbuilt offers the features of room sealed direct vent technology combined with the unique FireGenie® electronic control system.

This modern and contemporary styled heater will fit into most existing fireplaces creating the ambience of a wood fire along with the efficiency and convenience of a realistic gas log fire.

Standard Features

- Black Fascia
- Powerful 2 speed fan
- Electronic ignition
- 6.19kW - 32MJ NG/31MJ LPG/26.4MJ ULPG

Optional Features

- Stainless steel inner reflective panels
- FireGenie® remote control
- Ember upgrade kit
- Plinth kit
- LPG & ULPG conversion kit



IG-34 shown with slim line fascia & dress guard.





I-31 gas inbuilt

Above: I-31 shown with optional brushed steel louvres and slim line fascia (for full masonry chimney installations only)



Brushed steel louvres



Hampton cast iron fascia

Supreme Convenience

This popular gas inbuilt provides 31MJ to efficiently heat a medium sized room. The realistic camp-fire logs and embers are nestled into a compact firebox that fits most fireplaces. Change the look by choosing your fascia and louvres from a list of Regency options. Whatever style you choose, Regency quality and the exceptional fire will be a welcome addition to your home.

Standard Features

- Two speed fan
- 6.1KW - 31 MJ NG/LPG

Optional Features

- Black or brushed steel louvres
- Contour fascia (regular & oversize)
- Metallic black Hampton cast iron fascia & grills (* for full masonry chimney installations only)
- Slim line one piece fascia (* for full masonry chimney installations only)
- Basic or advanced RF remote
- Ember upgrade kit
- 25, 50, 102, 152mm plinth kits
- Zero clearance kit (for mock chimney)
- LPG conversion kit



F38/FG38/FG39 gas log fires

Above: F38/FG38/FG39 shown with optional brushed nickel louvres

Cosy Convenience

These Regency gas log fires feature the finest, most realistic gas fire available. Enjoy the exceptional flame through the wide one piece glass door designed to showcase the glowing flames and embers. Choose manual or electronic ignition and one of two flue options to ensure the right Regency for your home.

Standard Features

- Black louvres
- Two speed fan (F38)
- Three speed fan (FG38 & FG39)

F38 7.7kW 38MJ NG / 6.4kW 31 MJ LPG
 FG38 8.1kW 38 MJ NG / 31 MJ LPG
 FG39 8.4kW 40MJ NG / 7.9kW 38 MJ LPG

Optional Features

- Brushed nickel louvres
- Gold louvres
- Basic or advanced remote control (F38)
- FireGenie® remote control (FG38/FG39)
- LPG Conversion Kit



Black louvres



Gold louvres



F33 gas log fire

Above: F33 shown with optional nickel accent door and nickel legs



Cast iron legs and black door

Outstanding Fire!

Come home to a Classic gas log fire and view the full, robust fire through an authentic glass door. Customise this classic steel design with black, gold or brushed nickel accessories - select a pedestal base or one of two leg styles.

Standard Features

- Two speed fan
- 6.10kW- 33 MJ NG/LPG

Optional Features

- NG or LPG models available
- Cast iron door in black, gold or nickel trim
- Cast iron legs in black or brushed nickel
- Gold or Nickel hinge caps and handle
- Bottom heat shield (must have when using legs)
- Basic and advanced remote control

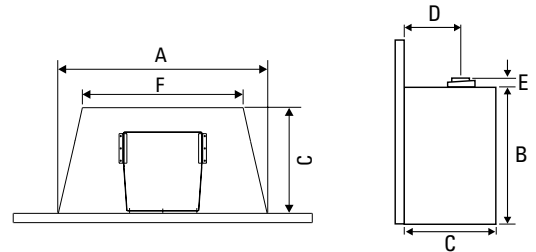


specifications (mm)

	Ignition System	FireGenie Remote	Advanced Remote	B-Vent Flue	Direct Vent Flue	Zero Clearance
IP-28	electronic	-	★	-	-	★
IG-34	electronic	★	-	-	✓	-
I-31	manual	-	★	✓	-	★

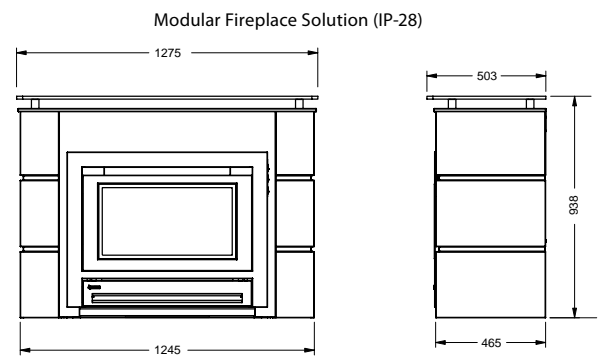
- Not available
- ✓ Standard
- ★ Optional

Dimensions	A	B	C	D	E	F
IP-28	694	593	379	N/A	N/A	694
IG-34	664	559	349	279	44	564
I-31	673	514	343	298	16	572



Faceplate Dimensions	Width	Height	Depth
I-31 contour fascia	1022	667	35
I-31 oversize fascia	1118	771	35
I-31 cast fascia	1035	667	35
I-31 one piece slim line fascia	906	673	3
IG-34 Contemporary fascia	1005	690	40
IG-34 Slim line fascia	981	671	25
IP-28 Modular fascia	848	655	N/A
IP-28 Modular fascia & infil panel	970	720	N/A
IP-28 Contemporary fascia	944	716	N/A
IP-28 Slim line fascia	1030	725	N/A

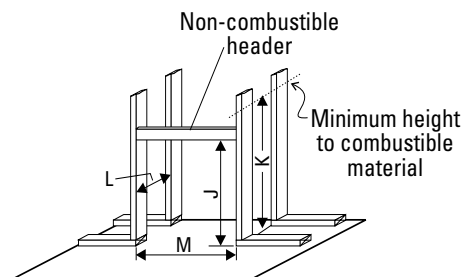
Note: Please refer to manual for I-31 zero clearance fascia.
Cast fascia & slim line fascia are for full masonry installation only.



Minimum Fireplace Opening	Width (front)	Width (rear)	Height	Depth
IP-28 Contemporary Fascia	699	699	597	384
IP-28 Slim Line Fascia	735	699	597	432
IG-34	680	600	586	353
I-31	673	572	533	381
I-31 Slim Line Fascia	715	572	533	381

Mock fireplace construction Framing - zero clearance	J	K	L	M
IP-28 Contemporary Fascia	702	N/A	490	770
IP-28 Slim Line Fascia	702	N/A	490	770
I-31 zero clearance option	806	N/A	495	959

* See manual for premium facing requirements with zero clearance option.

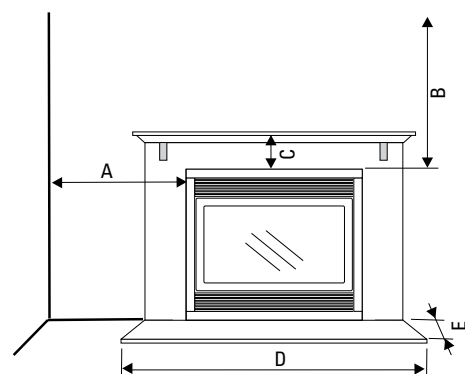


Mantel clearances*	A	B	C	D	E
IP-28	51	1000	279	N/A	N/A
IG-34	255	1205	330	N/A	N/A
I-31	256	1205	330	1015	405

* clearances shown are for 89mm mantle. For other mantel clearances please check your product manual.

A,B,C area measured from the side trim of the unit.

** No hearth is required when using the safety screen.

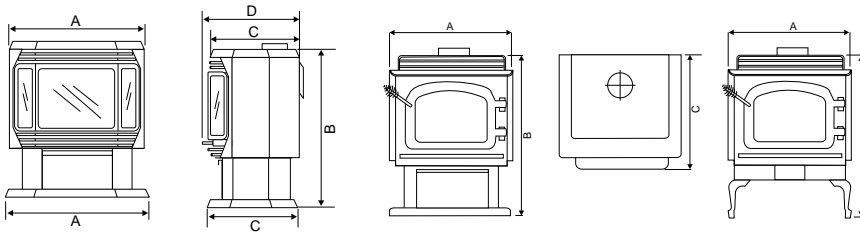




	Ignition System	FireGenie Remote	Basic/Advanced Remote	B-Vent Flue	Direct Vent Flue
F33	manual	-	★	✓	-
F38	manual	-	★	✓	-
FG38 FireGenie	electronic	★	-	✓	-
FG39 FireGenie	electronic	★	-	-	✓

- Not available
- ★ Optional

dimensions (mm)

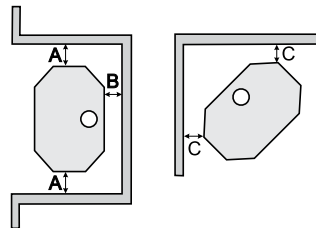


Dimensions	A	B	C	D
F33 Classic	610	754	559	-
F38/FG38 natural vent	660	762	432	448
F39/FG39 top DV	660	762	432	448

clearances to combustibles (mm)

Clearances	A	B*	C
F33 Classic	250	150	38
F38/FG38 natural vent	190	155	50
F39/FG39 top DV	190	150	50

B*- Rear wall clearance is a temperature issue and necessary for drafting purposes. Do not reduce clearance under any circumstances.



Enjoy your Regency - for life

You'll be happy with your Regency for years to come - our Limited Lifetime Warranty guarantees it. Not only have we invested in quality workmanship, the finest materials and durable heavy-duty construction but we have carefully selected a dealer network that is committed to your satisfaction. All Regency gas fires pass stringent Australian testing standards. We know that you will be as proud of your Regency as we are.

Limited Lifetime Warranty covers the following components: Combustion chamber, heat exchanger, burner tubes, logs and glass (thermal breakage). Refer to owner's manual for details.

Note: All product specifications are subject to change without notice. Before installing refer to the relevant product manual for full and up to date information. Stainless steel inner panels will naturally change tone over time. Heating capabilities of units are affected by: drafts under doorways or through flooring, large glass areas not covered by heavy drapes, ceiling heights greater than 2.4m or cathedral type ceilings, poor or no insulation, geographical locations. **Not all products are available at all outlets.**

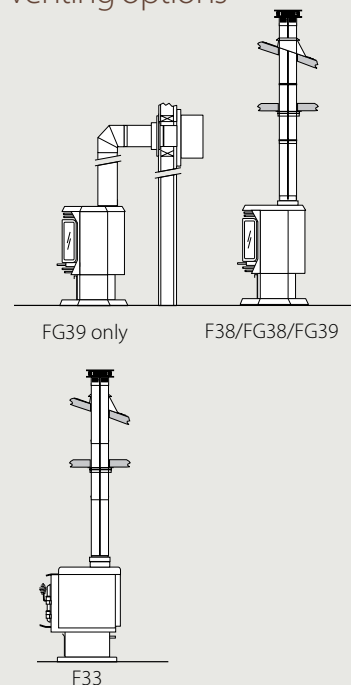
Direct Vent Technology



Direct vent technology means that you can install a Regency stove almost anywhere in your home - no chimney needed. From the top or rear of the unit, simply vent your stove through an exterior wall. Direct vent means that you have sealed combustion - outside air is brought in through the vent for combustion and the combusted air is sent back out - your indoor air is not affected.

Direct vent units: FG39

venting options



accessories

FireGenie® Remote Control

- Electronic ignition - no pilot light
- 7 day programmable times
- 2 time zones per day
- Radio frequency
- Thermostatic control
- Adjust flame & fan from remote

Advanced RF Remote Control

Choose the Advanced Radio Frequency remote control/ thermostat featuring 7 day programming and not only make your Regency gas inbuilt more convenient but you can actually save on running costs while maintaining your comfort level.

AstroCap™

The patented AstroCap will finish off the flue system on the outside of your home making it far more attractive than traditional flue systems. The AstroCap can even be painted to match your home.



AstroCap™



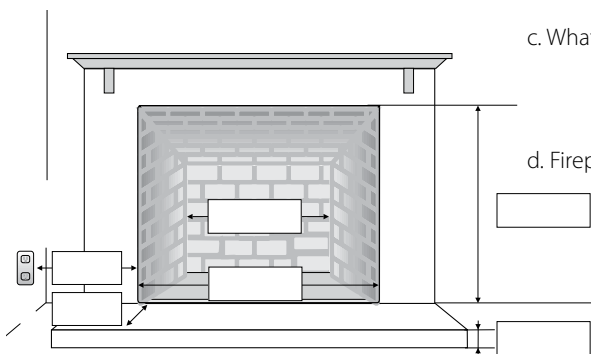
fireplace selection worksheet

1. BASIC PRODUCT FUNCTION QUESTIONS

- a. I would like my inbuilt to provide me with: Supplemental heating Priority heating
- b. The room/rooms I would like to heat are: _____ Square meters _____
- c. My fuel source will be: Natural gas Propane
- Has it been piped to the proposed fireplace area? Yes No

2. FIREPLACE PRODUCT TYPE AND MEASUREMENTS

- a. I am: Installing a new fireplace Installing into an existing fireplace Replacing a wood fire
- b. Fill in the following measurements:
Ceiling Height: _____
Location in the room: _____
Flooring material: _____
Wall material: _____
Ceiling material: _____
- c. What is the:
Width (front) _____
Width (back) _____
Height _____
Depth _____
- d. Fireplace opening dimensions



The Australian Gas Association

for your nearest dealer:

www.regency-fire.com.au

or call 1 800 081978

your regency dealer

Fireplace Products Australia Pty Ltd.

21-23 South Link
Dandenong South Vic 3175
Australia
Phone 1 800 081 978
Fax 03 9799 7822
Email: salesau@regency-fire.com

Air Group Australia

28 Division St.
Welshpool WA 6106
Australia
Phone 08 9350 2200

Regent Distributors Limited

PO Box 32 432,
Devonport, North Shore City
New Zealand
Phone: Sales +64 21 934 955
Fax: +64 9 4457 285
Email: sales@regentdist.co.nz