



direct vent
gas fireplaces

why choose Regency?

An exceptional fire, custom elegance and controllable heat are just a few reasons to make a Regency fire part of your family.

In 1979, I founded Regency Fireplace Products with a mission to produce the finest fireplace products available anywhere. As a result, Regency has been honoured with awards for exceptional aesthetics and performance and is known as the premium brand around the world. We have been dedicated to providing Australia & New Zealand with Regency fires for over 20 years: committed to creating products that promote comfort and peace of mind.

I am so confident in the quality workmanship, the finest materials and durable heavy-duty construction invested in each and every product, that I offer a Limited Lifetime Warranty. Invite the comfort, efficiency and style of a Regency gas or wood fire into your home and enjoy quality time for a lifetime - I guarantee it.



Robert Little
Founder & CEO





Regency Greenfire GF900L gas fire shown with Premium glass fascia (shown without mandatory dress guard).

why choose a direct vent fireplace?

A Regency direct vent gas fireplace is the perfect heating solution for your renovation or new construction project. In just three easy steps (see back cover), you can have a Regency Gas Fire almost anywhere in your home - no chimney needed! Select a fireplace, choose a fascia, and have it vented through an outside wall. Enjoy watching the lively, realistic fire of your new Regency while it warms your home and your soul.

Gemfire™ GEM54

Contemporary Gas Fire



Above: Gem54 shown with stainless steel fascia, reflective inner panels and blue crystals (shown without mandatory dress guard).

Dramatic firescape

The Regency landscape Gemfire offers a wide angle view of a unique and dramatic flame; perfect for contemporary homes and open concept living spaces. Inset reflective panels amplify the appearance of the stunning fire. The incredible styling is backed up by practical function; the room sealed direct vent fire delivers consistent, controllable heat - even during power outages.

 See it burn
regency-fire.com.au





Gem54 shown with black fascia, reflective inner panels and pebbles (shown without mandatory dress guard).



Gem54 shown with stainless steel fascia, reflective inner panels and black crystals (shown without mandatory dress guard).



Standard Features

- Wide decorative landscape fire with cobalt blue crystals
- Wall mounted On/Off switch
- Standing pilot with direct spark ignition
- 2-speed fan
- Nominal maximum gas consumption: 35.9 MJ NG / 32.2 MJ LP / 28.7 MJ ULP

Optional Features

- Contemporary door frame & fascia in black or brushed stainless steel
- Stainless steel or black enamel inner reflective panels
- Natural River Pebbles
- Ceramic Spa Stones
- Crystals in black, copper or starfire
- Log set
- Remote control
- LP & ULP conversion kit
- Horizontal or vertical flue options
- AstroCap™ Venting System

Greenfire™ GF900L & GF900C

Contemporary Gas Fires

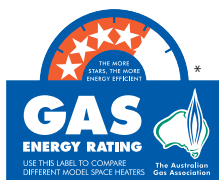


Regency Greenfire GF900L gas fire shown with stainless steel fascia (shown without mandatory dress guard).

Seamless Design & Perfect Heat

The Regency Greenfire™ adds modern expression to any living space with today's sleek, linear styling. This series features seamless design and beautiful wide angle flames set on your choice of a coastal driftwood log fire or a full bed of shimmering crystals. Efficient, clean-burning zone heating has never been more stylish!

 See it burn
regency-fire.com.au



*when installed with horizontal flue kit on NG



Regency Greenfire GF900C gas fire shown with premium glass fascia, black crystals and volcanic stones (shown without mandatory dress guard).



Regency Greenfire GF900C gas fire shown with mitred black fascia and black crystals (shown without mandatory dress guard).



Standard Features GF900L

- Wide landscape fire with driftwood log set
- Realistic ceramic glowing ember bed
- Black enamel reflective side panels
- 3-speed fan
- Electronic ignition
- RF Remote control
- Room sealed direct vent
- Nominal maximum gas consumption: 35 MJ NG / 28 MJ LP / 28 MJ ULP
- Output: 7.8kW NG / 6.3 kW LP

Standard Features GF900C

- Wide decorative landscape fire with stones and crystals
- Black enamel reflective panels (sides and rear)
- 3-speed fan
- Electronic ignition
- RF Remote control
- Room sealed direct vent
- Nominal maximum gas consumption: 32 MJ NG / 28 MJ LP / 28 MJ ULP
- Output: 6.9 kW NG / 6 kW LP

Optional Features

- Contemporary door frame & fascia in brushed stainless steel
- Mitred black fascia
- Premium glass fascia in black (1192mm x 638mm)
- Clean edge finish option (no fascia required)
- Black or stainless steel inner door frame to mix and match
- Stainless reflective end panels
- LP or ULP conversion kits
- Horizontal or vertical flue options
- AstroCap™ Venting System for horizontal termination

Panorama™ PG33/PG36/PG121

Gas Log Fires



Above: PG36 shown with optional premium flush front, slim fascia and reflective panels (shown without mandatory dress guard).

Design to suit your décor

There are over 25 ways to customise the look and feel of your Panorama fire. Design your fire to suit your décor with a selection of surrounds and finishing touches. Perfect for cosy living areas, the Panorama offers a beautiful flame and controllable heat.

Two Rooms... One Fire

This see through two sided PG121 is sure to impress. Share the heat and view of this Regency fire in two rooms at once. Customise both sides with stylish Regency accessories.

See it burn
regency-fire.com.au





PG36 shown with optional premium flush front and reflective panels (shown without mandatory dress guard).



PG33 shown with steel louvres (shown without mandatory dress guard).



PG121 shown with optional steel louvres, steel front trim and old town red bricks.



PG36 shown with Hampton fascia (shown without mandatory dress guard).

Standard Features

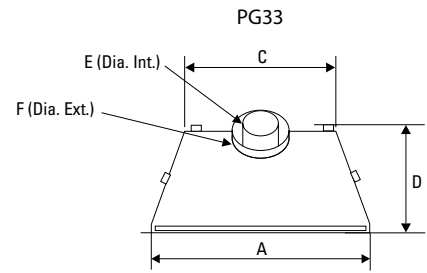
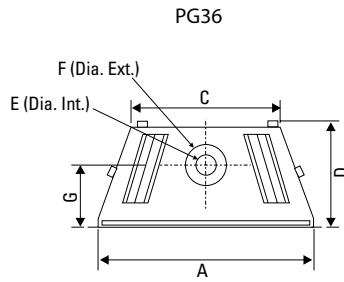
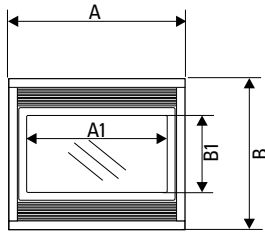
- Black louvres
- Electronic ignition
- 3-speed fan
- 45° flue takeoff – vertical or horizontal (PG33/PG121)
- PG36 - 6.8kW - 33 MJ NG / 31MJ LP
- PG33 - 5.0kW - 24 MJ NG/LP
- PG121 - 7.7kW - 41 MJ NG / 38MJ LP

Optional Features

- Premium black flush front (PG36)
- Hampton cast iron fascia and grills (PG36)
- Black or brushed steel louvres
- Brushed steel front trim
- 3 or 4 sided finishing trim in black or brushed steel*
- 3 or 4 sided slim line fascia in black or stainless steel* (PG36 only)
- Reflective stainless steel side inserts (PG33/PG36 only)
- Ember upgrade kit
- FireGenie® remote control
- AstroCap™ venting system
- LP conversion kit

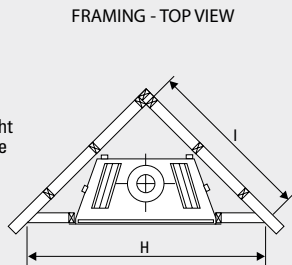
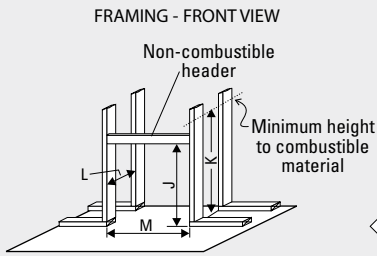
*4-sided trim not available for PG121

specifications (mm)

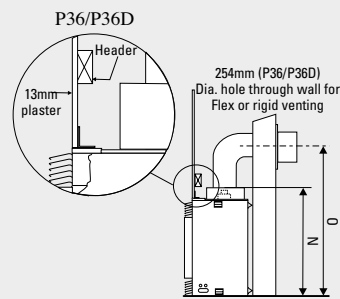


Dimensions	A	B	A1	B1	C	D	E	F	G
PG33	838	737	660	406	584	324	102	175	-
PG36	914	775	741	394	838	324	102	175	184

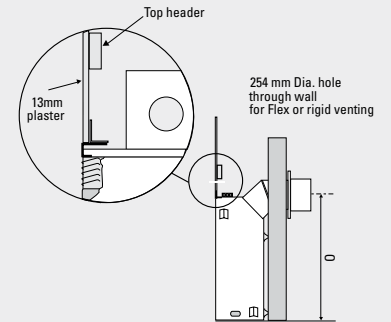
framing



MINIMUM TERMINATION CENTRE LINE P36



MINIMUM TERMINATION CENTRE LINE P33



Minimum termination centre line

Framing (horizontal termination)

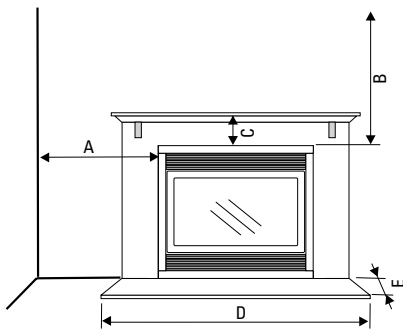
	H	I	J	K*	L	M	N	O
PG33 (Flex flue)	1353	953	806	813	324	845	0	660
PG33 (Rigid flue)	1353	953	806	914	419	845	0	762
PG36	1524	1078	921	1126	324	921	914	1029
PG36 (premium flush front)	1524	1078	946	1182	432	944	914	1029
PG121	please refer to installation manual							

Note: Framing dimensions are a guide only. Always check the current installation manual before commencing construction.

* When using rigid pipe.

For vertical termination or vertical rise with horizontal termination please refer to manual.

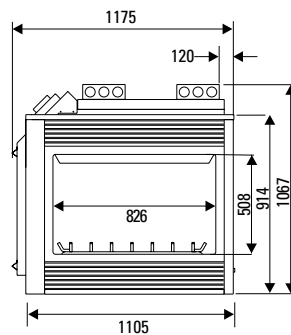
clearances



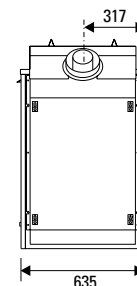
Mantel clearances	A	B	C	D	E
PG33	191	762	178	0	0
PG36	152	1016	178	0	0
PG121	914	914	*	0	0

* Please refer to the installation manual.

PG121 Front

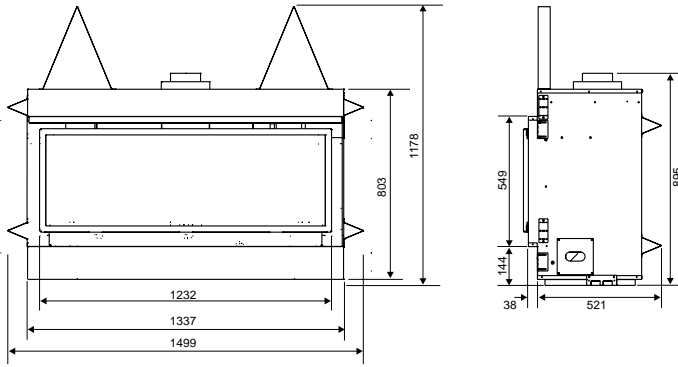


PG121 Side

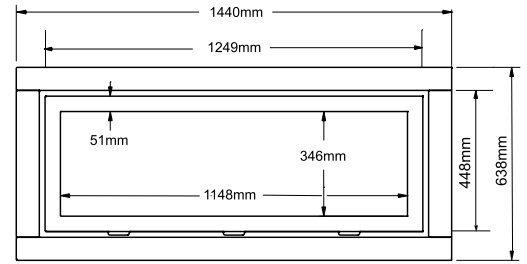


Note: For PG121 there is a 699mm vent heat shield on the vent end of the fire-place. Please allow appropriate space for centre positioning

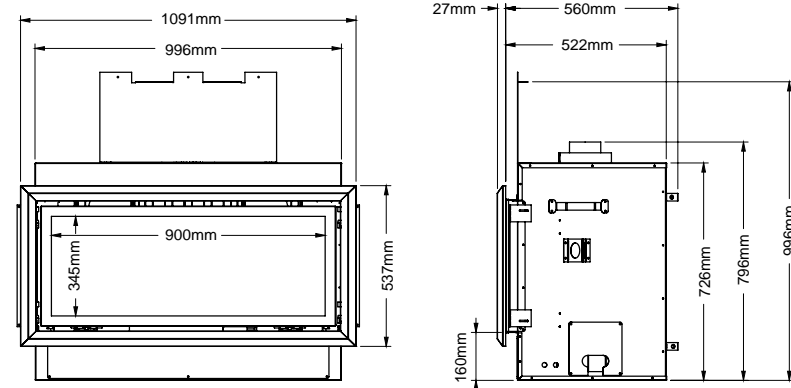
Gemfire 54



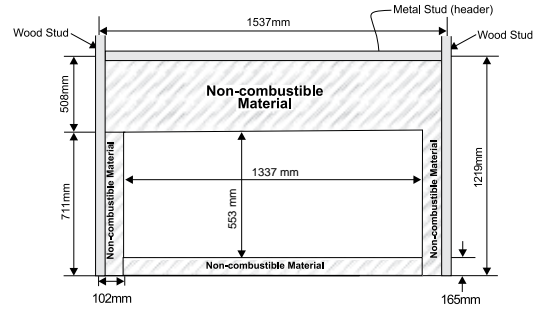
Gemfire 54



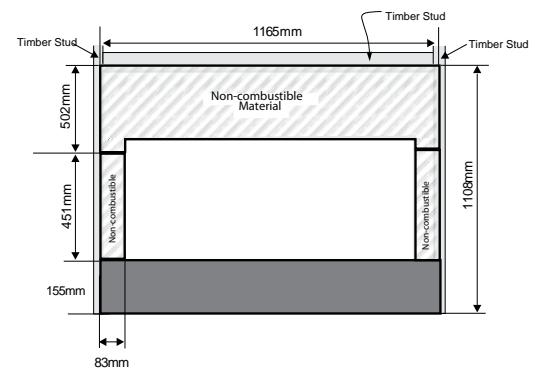
Greenfire GF900L & GF900C



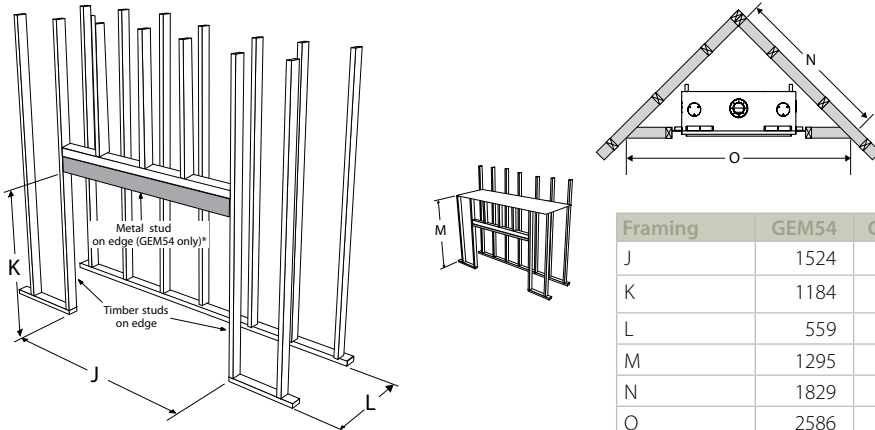
Gemfire 54



Greenfire GF900L & GF900C



framing

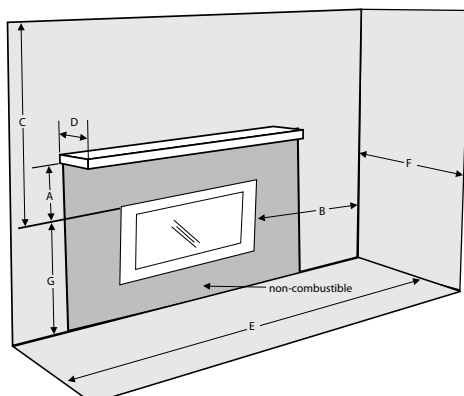


* Note: GEM54 requires top metal stud only.
All framing for GF900L and GF900C may be of wood construction.

Framing	GEM54	GF900L	GF900C
J	1524	1127	1127
K	1184	1089	1089
L	559	552	552
M	1295	1151	1151
N	1829	1273	1273
O	2586	1800	1800

Clearances	GEM54	GF900L	GF900C
A	508	438	438
B	102	146	146
C	1038	1003	1003
D	330	330	330
E	2108	1480	1480
F	914	787	787
G		610	610

clearances



Remote Controls

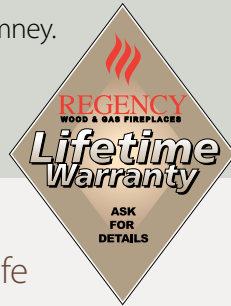
Control your gas fire with a remote exclusive to Regency. The remote can be used as a thermostat, allowing you to set and automatically maintain a desired temperature. You can also adjust the flame height and control the fan speed.

Note: Some functions are not available on all models.

1-2-3 Instant fireplace

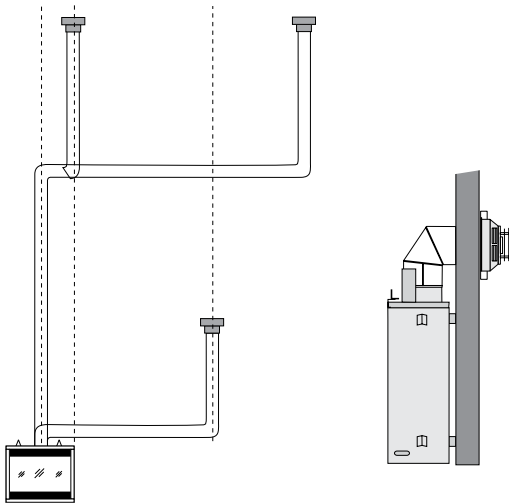


No chimney? No problem! The Regency Zero Clearance range enables you to have a gas log fire installed into a timber or steel framed/plasterboard "mock" chimney breast without the expense and effort of a purpose built brick chimney.



Direct Vent Technology

Direct Vent Technology is a fantastic innovation that maintains the total air quality of the home. It draws air from outside the home for combustion rather than warm room air. This means greater heating efficiency because all the warm air stays in your room. Direct Vent fireplaces can be flued vertically or out through an external wall, making them ideal for multi-storey homes where conventional vertical flues are not practical.



The Australian Gas Association

Fireplace Products Australia Pty Ltd.
21-23 South Link
Dandenong South Vic 3175
Australia
Phone 1 800 081 978
Fax 03 9799 7822
Email: salesau@regency-fire.com

Air Group Australia
28 Division St.
Welshpool WA 6106
Australia
Phone 08 9350 2200

Regent Distributors Limited
PO Box 32 432,
Devonport, North Shore City
New Zealand
Phone: Sales +64 21 934 955
Fax: + 64 9 4457 285
Email: sales@regentdist.co.nz

Enjoy your Regency - for life

You'll be happy with your Regency for years to come - our Limited Lifetime Warranty guarantees it. Not only have we invested in quality workmanship, the finest materials and durable heavy-duty construction but we have carefully selected a dealer network that is committed to your satisfaction. All Regency gas fires pass stringent Australian testing standards. We know that you will be as proud of your Regency as we are.

Limited Lifetime Warranty covers the following components: Combustion chamber, heat exchanger, burner tubes, logs, and glass (thermal breakage). Refer to owner's manual for details.

Note: All product specifications are subject to change without notice. Before installing refer to the relevant product manual for full and up to date information. Stainless steel inner panels will naturally change tone over time.

Heating capabilities of units are affected by: drafts under doorways or through flooring, large glass areas not covered by heavy drapes, ceiling heights greater than 2.4m or cathedral type ceilings, poor or no insulation and geographical locations.

Not all products are available at all outlets.

for your nearest dealer:

www.regency-fire.com.au

or call 1 800 081978

your regency dealer