



 **REGENCY**  
FIREPLACE PRODUCTS  
**15**  
YEARS  
LIMITED  
WARRANTY



wood fires

# why choose Regency?

An exceptional fire, custom elegance and controllable heat are just a few reasons to make a Regency fire part of your family.

In 1979, I founded Regency Fireplace Products with a mission to produce the finest fireplace products available anywhere. As a result, Regency has been honoured with awards for exceptional aesthetics and performance and is known as the premium brand around the world. We have been dedicated to providing Australia & New Zealand with Regency fires for over 20 years: committed to creating products that promote comfort and peace of mind.

I am so confident in the quality workmanship, the finest materials and durable heavy-duty construction invested in each and every product, that I offer a Limited 15 Year Warranty. Invite the comfort, efficiency and style of a Regency wood fire into your home and enjoy quality time - I guarantee it.



*Robert Little*

Robert Little  
Founder & CEO



[www.regency-fire.com.au](http://www.regency-fire.com.au)





## Alterra® wood fire

Above: Regency Alterra (F175) shown with optional stainless steel side panels

### Wood burning tip #1

*Burn dry, well-seasoned wood that has been split properly. Green wood is a major culprit in the creation of creosote.*

### Modern Styling - Traditional High Efficiency Heat

A wood burning stove with modern appeal! The contemporary design of Regency's Alterra wood stove puts the focus on the brilliant glowing fire. With an impressive viewing area, and a convenient firewood storage area, the Alterra is perfectly proportioned for visual pleasure and functional convenience.

#### Standard Features

- Heats approx. 190-240 sq.m
- Large glass viewing area (461x260mm)
- Single rod draft control
- Firebrick liners and baffle lining
- Reversible door
- Strong bakelite handles
- 2-speed fan
- Airwash system
- Low emissions: 1.3g/kg

#### Optional Features

- Steel baffle
- Cast iron liners
- Side panels in black or stainless steel





Above: Cardinia wood fire (F150)

## Cardinia® wood fire

## Narrabri® wood fire



Narrabri wood fire (F100)

### Standard Features Cardinia

- Heats approx. 150-170 sq.m
- Large glass viewing area (458x260mm)
- Single rod draft control
- Strong bakelite handles
- Steel firebox with firebrick lining
- Airwash system
- Low emissions: 1.3g/kg

### Optional Features Cardinia

- Steel baffle
- Cast plate liners
- Cast cook top (see pg. 10 for drawing)

### Standard Features Narrabri

- Heats approx. 80-120 sq.m
- Glass viewing area 340x250mm
- Radiant firebox on legs
- Single rod draft control
- Strong bakelite handles
- Steel firebox with firebrick lining
- Airwash system
- Adjustable leg bolts for levelling on uneven surfaces
- Emissions 2.4g/kg



## Renmark® wood fire

Renmark wood fire (F180)

**Wood burning tip #2**  
*Store wood under cover in a dry ventilated area. Wood stored on pallets or in a crisscrossed fashion allows air to circulate freely.*



### Cosy Convenience

Designed to heat small to medium sized living areas, the simple modern lines of the Cardinia suit a wide range of decors. The Narrabri radiant heater is designed to heat small living areas and suits that country feel home.

### Gorgeous View

Its contemporary design and large viewing area sets the Renmark apart from traditional freestanding wood fires. This convection heater, with optional 2-speed fan, is designed for medium sized living areas and can easily heat approximately 170-200m<sup>2</sup>.

#### Standard Features Renmark

- Heats approx. 170-200 sq.m
- Large glass viewing area (458x260mm)
- Single rod draft control
- Strong bakelite handles
- Steel firebox with firebrick lining
- Airwash system
- Low emissions: 1.3g/kg

#### Optional Features Renmark

- 2-speed fan
- Steel baffle
- Cast plate liners



## Albany® & Hume® wood fires

### Beautiful heat... in 2 sizes

For heating medium to large living areas (200-300sq.m) you have two Regency wood fires that provide a dramatic wide glass view of an incredible fire.

The firebox is specially designed to maximize heat output and is fitted with a 3-speed fan for extra circulation. A single draft rod allows you to control your fire and deliver just the heat you want, when you want it.

#### Standard Features Albany

- Heats approx. 190-240 sq.m
- Large glass viewing area (458x260mm)
- Single rod draft control
- Strong bakelite handles
- Steel firebox with cast iron lining
- 8mm steel baffle
- Powerful 3-speed fan
- Airwash system
- Low emissions: 1.3g/kg

#### Standard Features Hume

- Heats approx. 300 sq.m
- Large glass viewing area (577x277mm)
- Single rod draft control
- Steel firebox with cast iron lining
- 8mm steel baffle
- Powerful 3-speed fan
- Airwash system
- Low emissions: 1.5g/kg (new model)

Above: Hume wood fire (F250)



Above: Albany wood fire (F200B-1)





## Gosford® wood fire

Above: Gosford wood fire (F300B)

### Wood burning tip #3

*Don't leave the firebox door open - this affects the efficiency and reduces the heat output of your heater.*



### Ideal for Heating Larger Areas

Impressive in size and performance, the Regency Gosford delivers incredible high efficiency heat for maximum comfort. The sleek styling is complemented by Regency's tradition of reliability and leading edge wood burning technology. The Regency Gosford produces more heat using less wood and a longer burn.

#### Standard Features

- Heats approx. 300-350 sq.m
- Large glass viewing area (576x275mm)
- Single rod draft control
- Strong bakelite handles
- Steel firebox with firebricks lining the base
- Cast iron liners
- Airwash system
- Powerful 3-speed fan
- Low emissions: 1.5g/kg (new model)
- 8mm Steel Baffle



## Vancouver wood fire

Above: Vancouver (F2402) with cast legs and optional nickel trim door

### Keeping Up with Tradition

Choose the Vancouver and bring the tradition of wood fire warmth to your home. Perfect for heating medium sized living areas (approx. 200m<sup>2</sup>), this wood fire has all the modern conveniences: efficient heat, optional ash drawer, and easy operation.

#### Standard Features

- Heats approx. 200+ sq.m
- Large glass viewing area (380x215mm)
- Single rod draft control
- Brick-lined firebox
- Airwash system
- Brushed nickel accent kit (hinge caps & handles)
- Low emissions: 1.9g/kg

#### Optional Features

- Cast iron door in black, with nickel or gold accent
- Cast iron legs in black or nickel
- Ash drawer
- 2-speed fan
- Convector airmate



Vancouver with cast legs and optional gold trim door & optional airmate





## Berwick® & Bellerive® wood inbuilts

Above: Bellerive wood inbuilt (I-200)

### Wood burning tip #4

*Burn small, hot fires. A smouldering fire creates more smoke, and smoke equals creosote build-up.*



### Fabulous Heating Efficiency

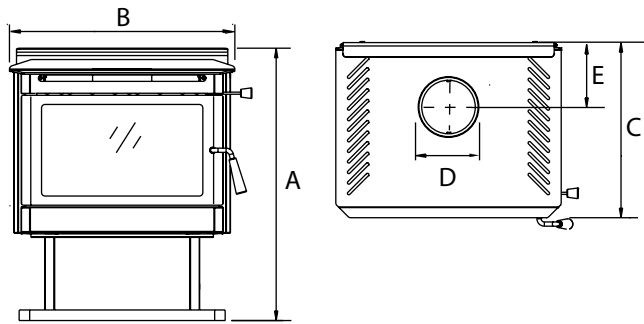
Designed with lifestyle in mind, the contemporary styled wood inbuilts are the perfect choice for large or medium living areas. The Bellerive fits into larger fireplaces and the Berwick fits into openings too small for other wood heaters. If you currently have no fireplace, you can create one by installing either inbuilt into a high safety Regency zero clearance kit. These highly efficient wood inbuilts are engineered and tested to satisfy Australian clean air requirements and emission standards.

#### Standard Features Berwick

- Heats approx. 180+ sq.m
- Large glass viewing area (458x260mm)
- Single rod draft control
- Strong bakelite handles
- Steel firebox with firebrick lining
- Powerful 2-speed fan
- Airwash system
- Low emissions: 1.3g/kg
- Zero clearance kit (optional)
- Steel Baffle (optional)
- Cast Plate Liners (optional)

#### Standard Features Bellerive

- Heats approx. 250+ sq.m
- Large glass viewing area (595x290mm)
- Single rod draft control
- Strong bakelite handles
- Steel firebox with cast iron lining
- 8mm steel baffle
- Powerful 2-speed fan
- Airwash system
- Low emissions: 1.5g/kg
- Zero clearance kit (optional)



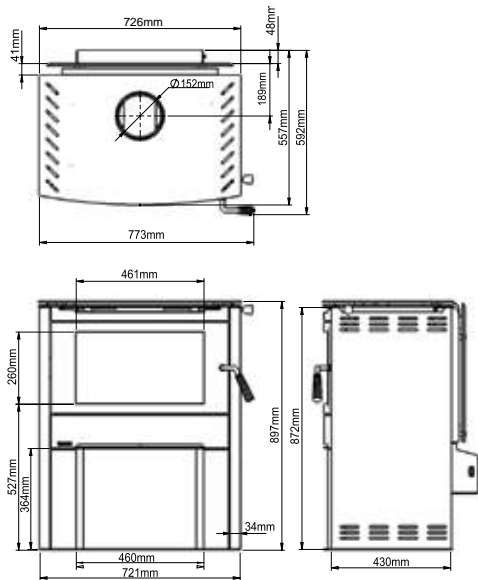
## dimensions

	A*	B	C**	D	E
Cardinia	692	585	463	152	180
Renmark	712	640	497	152	183
Albany	792	688	482	152	194
Gosford	871	770	540	152	167
Hume	859	769	539	152	170
Vancouver	845	610	695	152	168

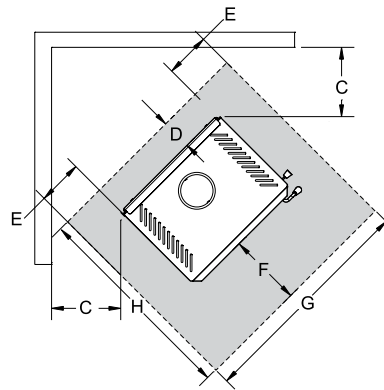
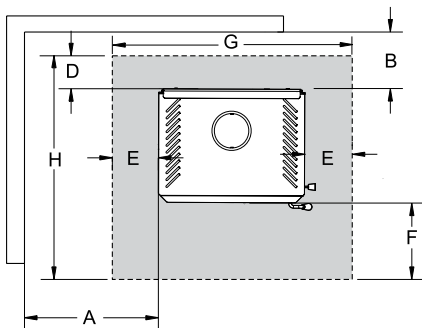
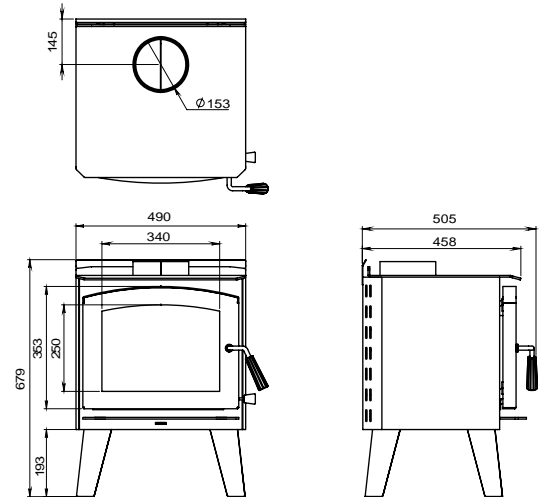
\*Measured to top of flue collar for height (Vancouver)

\*\*Including Ash Lip (Vancouver)

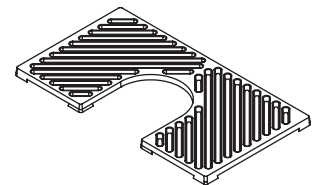
## Alterra



## Narrabri



Cardinia cast cook top



## clearances

Residential Installation			A	B	C	D	E	F	G	H
Alterra	Standard Default Kit(1)		475	160	175	160	78	300	875	969
F175B-1	AHD Special Kit		475	160	175	160	78	300	875	969
Cardinia	Standard Default Kit(1)		700	225	450	192	147	450	880	1105
F150B-1	AHD Special Kit		750	250	450	192	147	450	880	1105
Narrabri	Standard Default Kit(3)		480	200	300	200	200	300	850	950
Renmark	Standard Default Kit(1)		400	100	175	100	120	350	880	914
F180B-1	AHD Special Kit		450	100	175	100	120	350	880	914
Gosford	Standard Default Kit(1)		390	160	200	160	123	380	1015	1080
	AHD Special Kit		420	220	200	220	123	380	1015	1140
Albany	Standard Default Kit(1)		400	100	75	100	96	350	880	932
F200B-1	AHD Special Kit		400	100	125	100	96	350	880	932
Hume	Standard Default Kit(2)		400	180	200	181	123	400	1015	1120
F250	AHD Special Kit		450	300	200	181	123	400	1015	1120
Vancouver	Standard Default Kit(2)	with AirMate	450	125	150	152	200	300	1010	1120
F2402		with Deflector	450	150	225	152	200	300	1010	1145

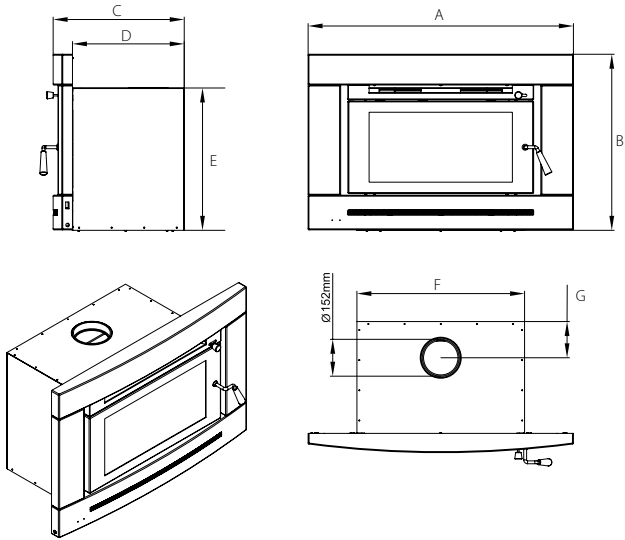
Note(1) STANDARD DEFAULT KIT USED FOR CLEARANCES INCLUDES 1 X 900MM LENGTH OF 130 DEGREE STAINLESS BETWEEN ACTIVE FLUE AND 2 LENGTHS OF DECROMESH

Note (2) STANDARD DEFAULT KIT ONLY REQUIRED INCLUDES 2 LENGTHS OF DECROMESH

Note (3) STANDARD DEFAULT KIT ONLY REQUIRED INCLUDES 1 LENGTH OF DECROMESH

THIS IS A GUIDE - ALWAYS REFER TO INSTALLATION MANUAL FOR SPECIFICATIONS

## Bellerive & Berwick wood inbuilts



### dimensions

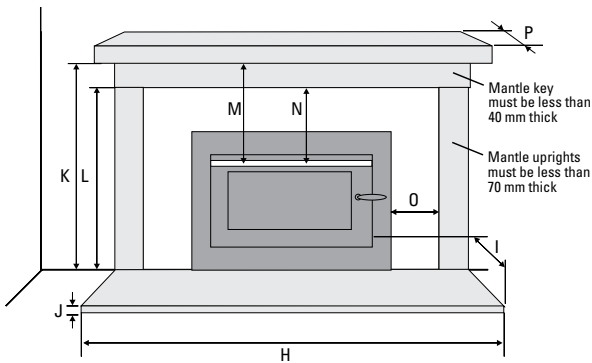
	A	B	C	D	E	F	G
Bellerive	1100	730	544	464	590	695	150
Berwick	940	698	479	415	585	637	177

### minimum fireplace openings

	Depth	Width	Height
Bellerive	468	699	597
Berwick	420	640	589

### clearances

	H	I	J	K	L	M	N	O	P
Bellerive	1020	300	90	1200	990	490	400	75	200
Berwick	875	300	90	970	920	400	350	75	200



## Zero clearance framing

**Note:** The Bellerive and Berwick are approved for zero clearance installations – please see manual for exact instructions.

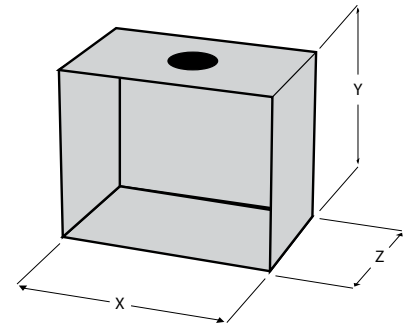
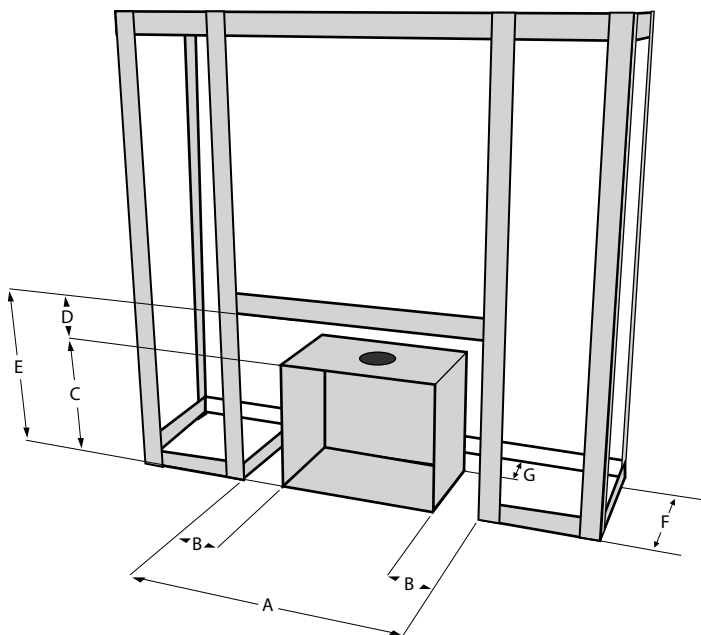
It is important to understand and check local regulations prior to commencing installation.

### Zero clearance framing

	A	B	C	D	E	F	G
Bellerive	1300	235	680	250	930	580	50
Berwick	1010	90	680	250	930	580	50

### Zero clearance box dimensions

	X	Y	Z
Bellerive	830	680	530
Berwick	830	680	530



Heating capacity and any burn times are a guide only and can be affected by some or all of the following examples: drafts under doorways or between floorboards, large glass areas not covered by heavy drapes/curtains, green, wet or damp wood, ceiling heights greater than 2.4 metres or cathedral type ceilings, poor or no insulation.

**Note:** All product specifications are subject to change without notice. Before installing refer to the relevant product manual for full and up to date information. Product pictures are a guide only, all wood fires must be installed as per AS 2918:2001. All Regency wood fires pass and exceed stringent joint Australian and New Zealand Standards AS/NZS 4012 and AS/NZS 4013:1999

Not all products are available at all outlets.

# burning wood - a green choice

## Wood is affordable

Reduce your dependence on high priced, non-renewable home heating fuels by burning wood. Turn your fire down and enjoy comforting warmth in your main living area with a Regency wood product. Whether you buy your wood or collect it yourself, you will notice the savings within its first year.

## Renewable Resource

Wood is a renewable natural resource - well-managed forests are a renewable, sustainable source of energy that helps us reduce greenhouse gas emissions and be less dependent on oil & gas.

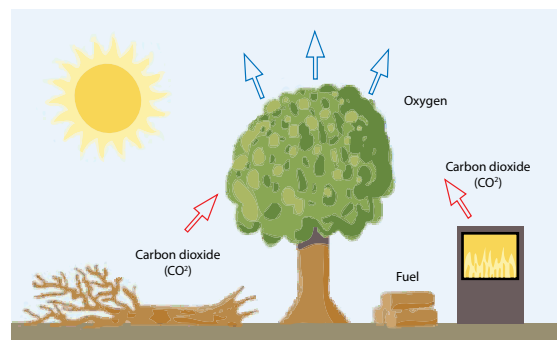
## Wood is Carbon Neutral

As trees grow they absorb carbon dioxide from the atmosphere. When trees die and are left to decompose in the forest or burn in forest fires the carbon stored in the trees is released in the atmosphere as carbon dioxide.

Burning firewood produces the same amount of carbon dioxide as it has absorbed during its life cycle - making wood burning carbon neutral.

## Certified

All Regency Wood Stoves and Fireplaces have been tested and certified to the strictest Australian Clean Air Standards.



for your nearest dealer:

[www.regency-fire.com.au](http://www.regency-fire.com.au)

or call 1 800 081978

your Regency dealer

### Fireplace Products Australia Pty Ltd.

1 Conquest Way,  
Hallam VIC 3803  
Australia  
Phone 1 800 081 978  
Fax 03 979 97822  
Email: [salesau@regency-fire.com](mailto:salesau@regency-fire.com)

### Distributor WA Air Group Australia

28 Division St.  
Welshpool WA 6106  
Australia  
Phone 08 9350 2200