



For further information or specifications, visit the technical section of our website [www.escea.com](http://www.escea.com) to view the latest product Installation Manual.

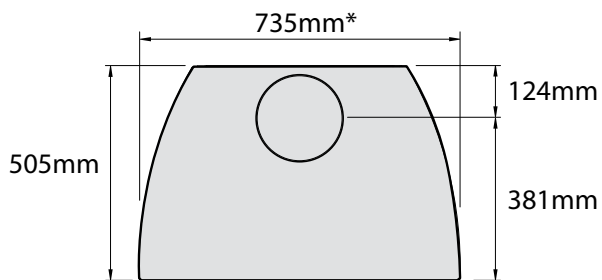
**Appliance Information**

**Specifications**

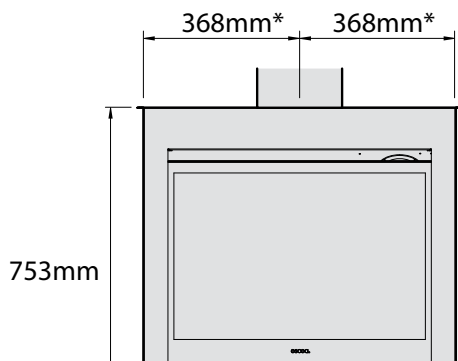
Heat Output	5.4 - 5.8 kW
Star Rating	4 - 5 Stars
Gas Input / Consumption	24-25 MJ/hr
Gas Connection	Rear right or front right, 1/2" BSP female thread
Gas Type	Natural Gas / ULPG (NZ) / Propane (Aus)
Power Requirement	3 pin earthed 230V power outlet to be within 1.0m of right side of the appliance.
Appliance Weight	45kg
Smearheat	Yes, ethernet connection required

**Product Dimensions**

All outside dimensions taken from the appliance are with the standoffs attached.



**\*Not including Lid Overhang**



**Flue Installation**

The freestanding unit and flue system should be installed prior to the DF-Series fireplace being installed (for horizontal termination for DFS730: see section G6 of the install manual).

□ Place the freestanding unit in the correct location, complying with the clearances specified in the previous section.

□ Remove 2 screws on each side of the fascia just below the top panel and pull towards you to remove the fascia.

□ Fix the DFS730 unit to the floor using the four securing holes in each corner of the unit.

□ Refer to Section B3 in the install manual for flexi flue clearances.

□ Refer to section C of the installation manual for minimum and maximum flue lengths, restrictor settings for your installation, and all other flue information.

□ Run the black Ø230mm flue liner lengths from the top of the freestanding unit until it penetrates the Ø265mm ceiling hole.

□ Use the supplied ceiling plate for tidying the internal termination point of the Ø230mm flue liner.

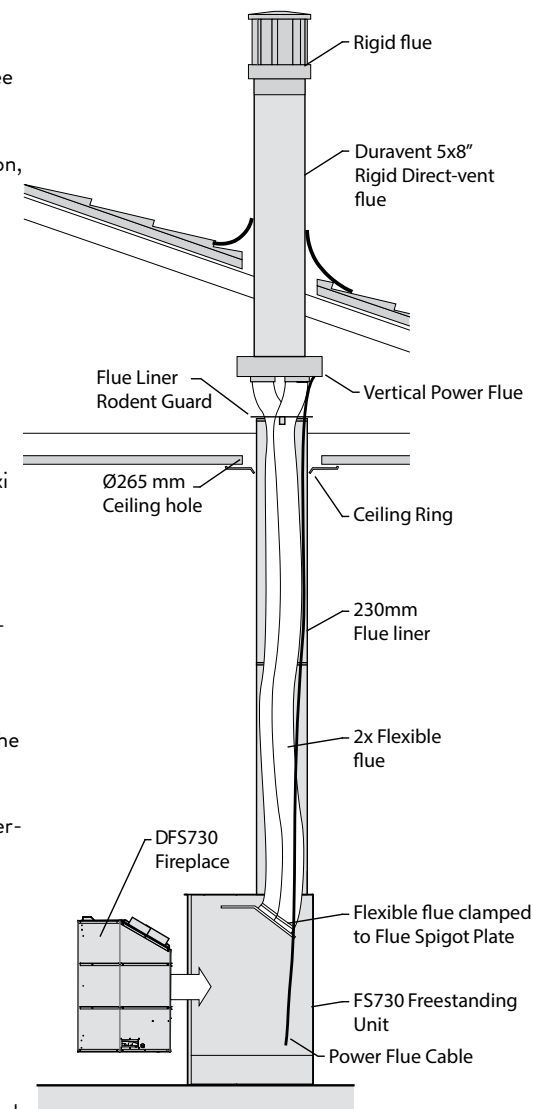
□ Run the 2x flexible flues down through the Ø230mm flue liner and attach it to the Flue Spigot Plate as per section C of the install manual.

□ Run the power flue cable down through the Ø230mm flue liner.

□ Open the flue liner rodent guard and close around the flexi flue and power flue cable. Rivet, screw or cable tie the open end to prevent it from opening. Bend the two perpendicular tabs down and screw into the flue liner using a short self tapping screw. **Note:** Take care when installing the rodent guard to not cause damage to the flexi flue or power flue cable.

□ Install flue termination as per section C of the install manual

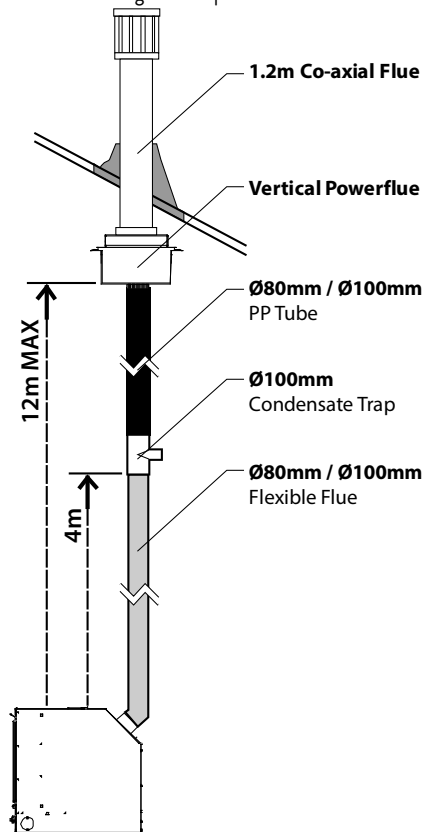
*Note: Ensure a power supply is within 1m of the rear of the appliance.*



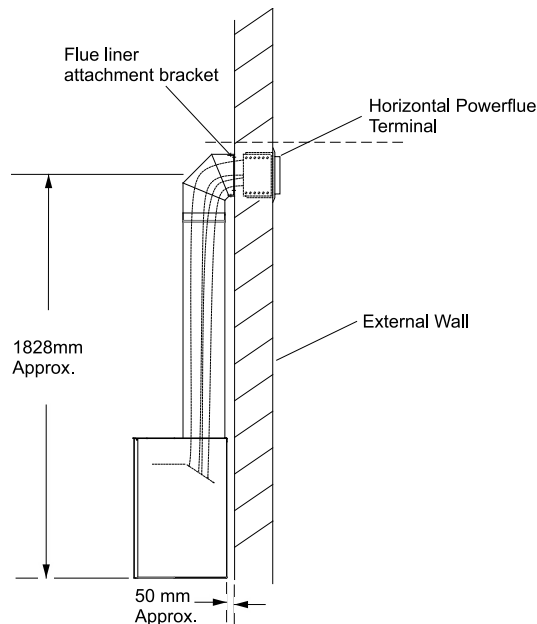
## Flue Information

### Flue Configuration (If more than 4m flue length is required)

If your flue system is greater than 4m long (as shown in diagrams below), then a flexible flue with condensate trap and rigid PP tube flue lengths is required.



**Vertically Terminated:** Utilises the Escea vertical power flue enclosure kit.



**Horizontally Terminated:** Utilises the escea horizontal power flue enclosure kit.

## Clearances

### Chassis and Flue Clearance

The appliance chassis and exhaust flue is zero clearance rated.

### Floor Clearances

If the appliance is mounted above a “hard floor” (including but not necessarily limited to: wood, wood veneers, ceramic tiles, concrete and stone) then it may be positioned with the bottom of the fascia coincident with the finished floor if desired. Note: The appliance has been tested and certified to AS4553:2008 and the maximum allowable temperature rise above ambient of any combustible floor is  $\Delta T$  of 65C. Therefore any material used must be chosen to be able to operate without damage or degradation with a  $\Delta T$  of 65C.

If the appliance is mounted above a “Soft floor” (including but not necessarily limited to: carpets, Vinyl, carpet tiles, rugs and mats) then we recommend a distance of 100mm from the bottom of the fascia to the finished floor.

### Hearth

A Hearth is not required, however it may be used for decorative purposes or for protection of sensitive flooring. The hearth should not obscure the air inlet of the fire.

Do not place items or furnishings on top of the freestanding fireplace, and **ensure soft furnishings do not come in contact with the freestanding fireplace.**

### Minimum Wall Clearances

