



[www.regency-fire.com.au](http://www.regency-fire.com.au)

# GREENFIRE™ GAS FIREPLACES



# Why Choose Regency?

An exceptional fire, custom elegance and controllable heat are just a few reasons to make a Regency fire part of your family.

In 1979, I founded Regency Fireplace Products with a mission to produce the finest fireplace products available anywhere. As a result, Regency has been honoured with awards for exceptional aesthetics and performance and is known as the premium brand around the world. We have been dedicated to providing Australia & New Zealand with Regency fires for over 20 years: committed to creating products that promote comfort and peace of mind.

I am so confident in the quality workmanship, the finest materials and durable heavy-duty construction invested in each and every product, that I offer a Limited Lifetime Warranty. Invite the comfort, efficiency and style of a Regency gas or wood fire into your home and enjoy quality time for a lifetime - I guarantee it.



**Robert Little**  
*Founder & CEO*





GF1500L shown with door frame and fascia in black.

## Why Choose A Direct Vent Fireplace?

A Regency direct vent gas fireplace is the perfect heating solution for your renovation or new construction project. In just three easy steps, you can have a Regency Gas Fire almost anywhere in your home - no chimney needed! Select a fireplace, choose a fascia, and have it vented through an outside wall. Enjoy watching the lively, realistic fire of your new Regency while it warms your home and your soul.



# GF1500L

## Extra Large Gas Fireplace

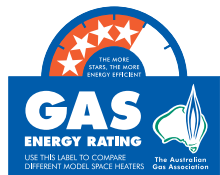
The Regency Greenfire provides an immense linear view of the best in class flame and log package that Regency currently offers. Perfect for contemporary spaces and open concept living areas, heat is distributed throughout the home with maximum efficiency. The black enamel reflective panels further accentuate the fire – drawing friends and family closer to stay a while longer.

### STANDARD FEATURES

- Wide landscape fire with driftwood log set
- Realistic ceramic glowing ember bed
- Black enamel reflective side panels
- 3-speed fan
- Electronic ignition
- RF Remote control
- Room sealed direct vent

### OPTIONS

- Contemporary door frame & fascia in black or brushed stainless steel
- Premium glass fascia in black
- Clean edge finish option (no fascia required)
- Optional trim kit for clean edge finish
- Black or stainless steel inner door frame to mix and match
- Optional framing kit
- LPG/ULPG conversion kits
- Horizontal or vertical flue options
- AstroCap™ Venting System for horizontal termination
- Heat distribution kit & air duct to distribute heat to other rooms



\*when installed with a short horizontal flue kit on NG





GF1500L shown with clean edge finish (no fascia).



GF1500L shown with door frame and fascia in brushed stainless steel.



GF1500L shown with brushed stainless steel inner door frame and glass fascia in black.

# GF900L

## Large Gas Fireplace

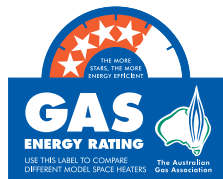
The Regency Greenfire adds modern expression to any living space with today's sleek, linear styling. This series features seamless design and beautiful wide angle flames set with a coastal driftwood log fire. Efficient, clean-burning zone heating has never been more stylish!

### STANDARD FEATURES

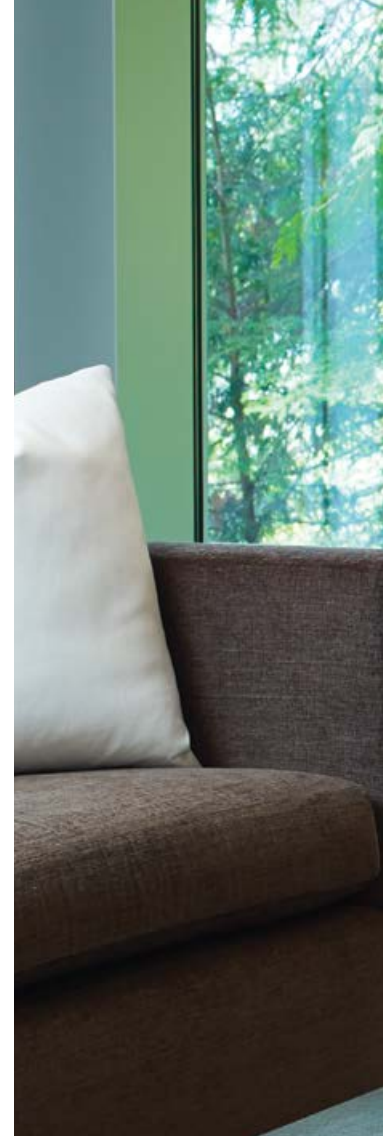
- Wide landscape fire with driftwood log set
- Realistic ceramic glowing ember bed
- Black enamel reflective side panels
- 3-speed fan
- Electronic ignition
- RF Remote control
- Room sealed direct vent

### OPTIONS

- Contemporary door frame & fascia in black or brushed stainless steel
- Premium glass fascia in black
- Clean edge finish option (no fascia required)
- Optional trim kit for clean edge finish
- Black or stainless steel inner door frame to mix and match
- Stainless steel reflective side panels
- Optional framing kit
- LPG or ULPG conversion kits
- Horizontal or vertical flue options
- AstroCap™ Venting System for horizontal termination
- Heat distribution kit & air duct to distribute heat to other rooms



\*when installed with a short horizontal flue kit on NG







GF900L shown with clean edge finish (no fascia).



GF900L shown with door frame and fascia in brushed stainless steel.



GF900L shown with clean edge finish (no fascia).





GF900C shown with clean edge finish (no fascia).



GF900C shown with door frame and fascia in brushed stainless steel.



GF900C shown with door frame and glass fascia in black.





# GF900C

## Large Gas Fireplace

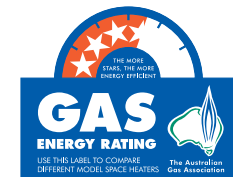
The Regency Greenfire adds modern expression to any living space with today's sleek, linear styling. This fireplace features seamless design and beautiful wide angle flames set on a full bed of shimmering crystals and volcanic stones. Efficient, clean-burning zone heating has never been more stylish!

### STANDARD FEATURES

- Wide landscape fire with stones and crystals
- Black enamel reflective side panels
- 3-speed fan
- Electronic ignition
- RF Remote control
- Room sealed direct vent

### OPTIONS

- Contemporary door frame & fascia in black or brushed stainless steel
- Premium glass fascia in black
- Clean edge finish option (no fascia required)
- Optional trim kit for clean edge finish
- Black or stainless steel inner door frame to mix and match
- Stainless steel reflective side panels
- Optional framing kit
- LPG or ULPG conversion kits
- Horizontal or vertical flue options
- AstroCap™ Venting System for horizontal termination
- Heat distribution kit & air duct to distribute heat to other rooms



*\*when installed with horizontal flue kit on NG*

*NOTE: All GF900C images are shown without mandatory dress guard.*

## OTHER FEATURES

Fireplace Model	Nominal maximum gas consumption			Output		
	NG	LPG	ULPG	NG	LPG	UPLG
GF1500L	50 MJ	49 MJ	44 MJ	10.8 kW	10.7 kW	10.1 kW
GF900L	35 MJ	28 MJ	28 MJ	7.8 kW	6.3 kW	6.4 kW
GF900C	32 MJ	28 MJ	28 MJ	6.9kW	6 kW	6 kW

*NOTE: kW output based on horizontal flue run.*

## DESIGN OPTIONS



Clean edge finish (no fascia)



Door frame and fascia in black



Door frame and fascia in brushed stainless steel



Glass fascia in black



Glass fascia in black with brushed stainless steel inner door frame

Fascia dimensions (mm)	GF1500L		GF900L/GF900C	
	Width	Height	Width	Height
Clean edge finish option (no fascia)	1267	459	1002	446
Door frame and fascia in black	1359	549	1091	536
Door frame and fascia in brushed stainless steel	1359	549	1091	536
Glass fascia in black or with brushed stainless steel inner door frame	1460	654	1192	641

## FINISHES



Black



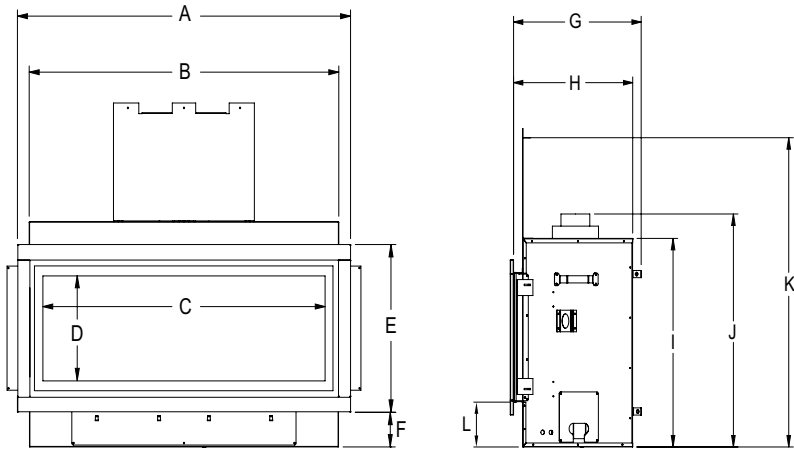
Brushed Stainless Steel



Black Glass

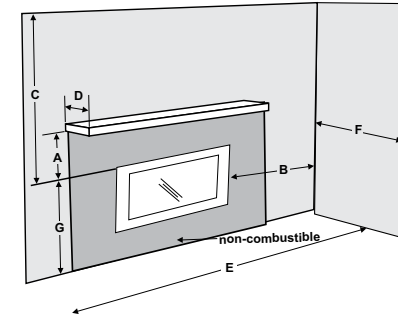


## SPECIFICATIONS (mm)



Specifications	GF1500L	GF900L/GF900C
A	1359	1091
B	1263	995
C	1152	889
D	345	332
E	549	536
F	113	113
G	562	560
H	525	522
I	737	725
J	824	795
K	1094	1082
L	159	160

## CLEARANCES

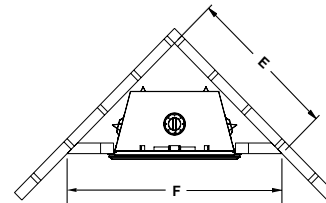
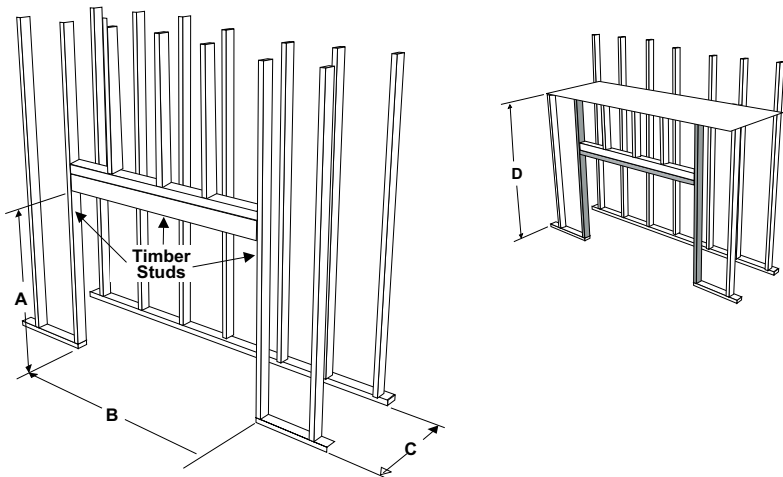


Clearances	GF1500L	GF900L/GF900C
A* (min. - max.)	502 - 730	438 - 667
B	152	146
C	1162	1003
D** (min. - max.)	25 - 305	25 - 305
E	1524	1480
F	914	787
G*	617	610

\*Distance is measured from top of hot air outlet.

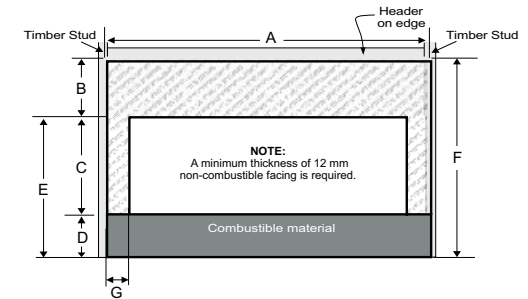
\*\*Clearances vary for different mantle depths. Please refer to manual for details.

## FRAMING



Framing	GF1500L	GF900L/GF900C
A	1095	1089
B	1394	1127
C	568	552
D	1225	1151
E	1460	1273
F	2065	1800

Optional framing kit available. See manual for details.



Combustible Requirements	GF1500L	GF900L/GF900C
A	1432	1165
B	508	502
C	459	451
D	159	156
E	617	606
F	1119	1108
G	83	83

## REMOTE CONTROLS

RF (Radio Frequency) Remote Control is programmable up to 7 days a week. The remote can be operated from another room, automatically modulating the temperature of your Gas Fire, increasing efficiency and reducing running costs. It also allows you to set and maintain a desired temperature, as well as adjust the flame height and fan speed.



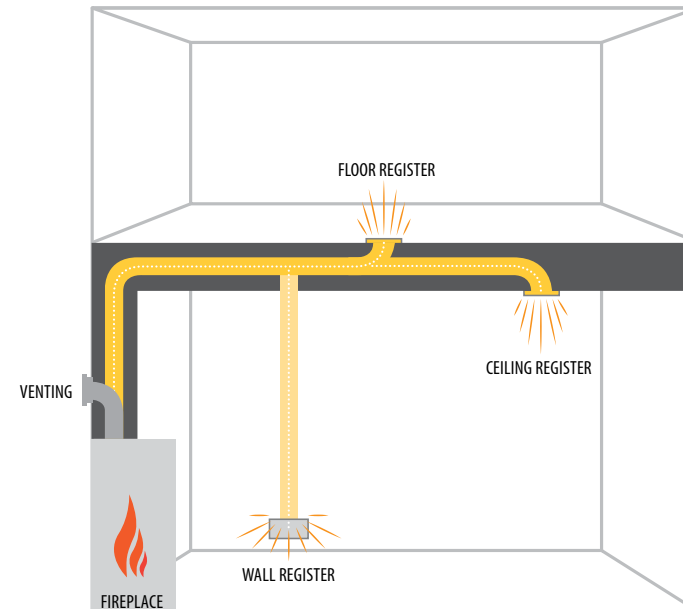
## DIRECT VENT TECHNOLOGY

Direct Vent Technology is a fantastic innovation that maintains the total air quality of the home. It draws air from outside the home for combustion rather than warm room air.

This means greater heating efficiency because all the warm air stays in your room. Direct Vent fireplaces can be flued vertically or out through an external wall, making them ideal for multi-storey homes where conventional vertical flues are not practical.

## HEAT DISTRIBUTION

Increase the effectiveness of your fireplace by dispersing warm air from the fireplace to remote locations in the same room or other rooms in your home by using the heat distribution kit.



Optional Heat Distribution Kit





## Enjoy Your Regency — For Life



You'll be happy with your Regency for years to come, our Limited Lifetime Warranty guarantees it. Not only have we invested in quality workmanship, the finest materials and durable heavy-duty construction but we have carefully selected a dealer network that is committed to your satisfaction. All Regency gas fires pass stringent Australian testing standards. We know that you will be as proud of your Regency as we are.

Limited Lifetime Warranty covers the following components: Combustion chamber, heat exchanger, burner tubes and glass (thermal breakage). Refer to owner's manual for details.

**NOTE:** All product specifications are subject to change without notice. Before installing refer to the relevant product manual for full and up to date information. Stainless steel inner panels will naturally change tone over time. Heating capabilities of units are affected by: drafts under doorways or through flooring, large glass areas not covered by heavy drapes, ceiling heights greater than 2.4m or cathedral type ceilings, poor or no insulation and geographical locations.



GF900L shown with door frame and glass fascia in black.



## 1-2-3 INSTANT FIREPLACE

1



3



2



No chimney? No problem! The Regency Zero Clearance range enables you to have a gas log fire installed into a timber or steel framed/plasterboard “mock” chimney breast without the expense and effort of a purpose built brick chimney.

for your nearest dealer visit:  
[www.regency-fire.com.au](http://www.regency-fire.com.au)  
or call 1800 081 978

**Fireplace Products Australia  
Pty Ltd.**

1 Conquest Way,  
Hallam VIC 3803  
Australia  
Phone: +1800 081 978  
Fax: +613 9799 7822  
Email: [sales@regency-fire.com.au](mailto:sales@regency-fire.com.au)

**Distributor WA  
Air Group Australia**

28 Division St.  
Welshpool WA 6106  
Australia  
Phone: +08 9350 2200

**Distributor NZ  
Aber Holdings Ltd**

17 Mainstreet Place,  
PO Box 10095, Te Rapa  
Hamilton 3241  
New Zealand  
Phone: +64 7849 7585

your Regency dealer

*Disclaimer: Appearance of flames varies with installation and fuel type.  
Star ratings vary based on flue type and configuration.*

©2016 FPI Fireplace Products International Ltd. Regency and Greenfire™ is registered or proprietary trademark of FPI Fireplace Products International Ltd. All rights reserved. (02/16)  
Part no. 944-295



**Mixed Sources**  
Product group from well-managed  
forests and other controlled sources  
Cert no. SCS-COC-001161  
[www.fsc.org](http://www.fsc.org)  
© 1996 Forest Stewardship Council