

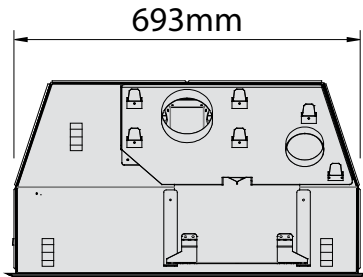
For further information or specifications, visit the technical section of our website [www.escea.com](http://www.escea.com) to view the latest product Installation Manual.

**Appliance Information**

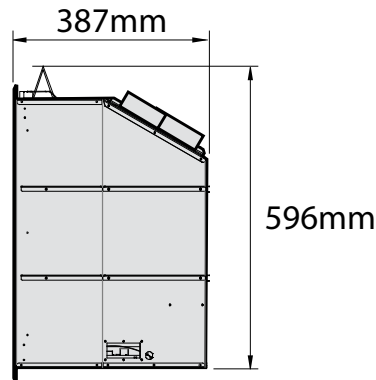
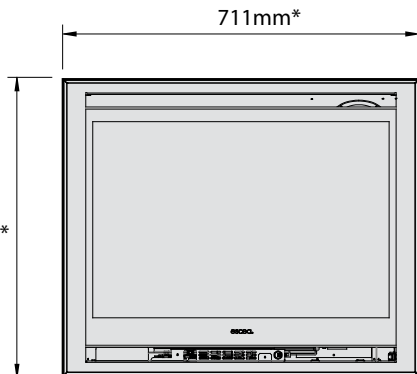
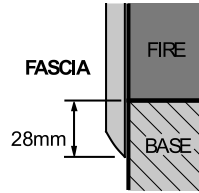
Specifications	
Heat Output	5.4 - 5.8 kW
Star Rating	4 - 5 Stars
Gas Input / Consumption	24-25 MJ/hr
Gas Connection	Rear right or front right, 1/2" BSP female thread
Gas Type	Natural Gas / ULPG (NZ) / Propane (Aus)
Power Requirement	3 pin earthed 230V power outlet to be within 1.0m of right side of the appliance.
Appliance Weight	45kg
Smarthearth	Yes, ethernet connection required

**Product Dimensions**

All outside dimensions taken from the appliance are with the standoffs attached.



**Distance from fireplace base to Fascia face**

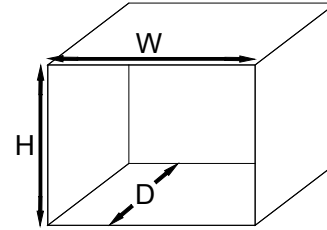


\*Slim Fascia Dimensions.

**Cavity Construction**

**Cavity Shape**

The standoff rails installed on the outside must only be removed when being installed into a masonry cavity.



Note: a top is not required when creating the cavity

	Height	Width	Depth
False Chimney installation (top standoffs must be adjusted to the upright position)	600mm	695mm	390mm + minimum 65mm flue clearances
Masonry install with standoff rails & top standoffs removed.	590mm**	685mm	385mm

Note: If cavity dimensions significantly exceed those specified, a register plate is available for purchase through your local escea retailer (New Zealand Only).

\*\*Note: This dimension makes an allowance for the 30mm spacer for floor mounted installations (see masonry installation requirements).

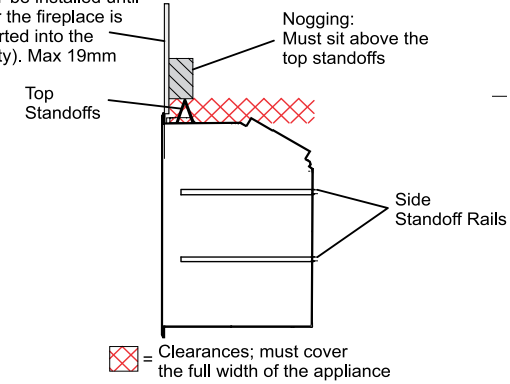
**Cavity Base**

This appliance **MUST** be fully supported on its base. The base must extend over the entire area of the underside of the appliance. The base must also be levelled to prevent vibration from possible fan imbalance. The base of the cavity must be strong enough to support 80kgs.

**False cavity Installation**

For floor mounted installations, allow for fascia clearance.

Cladding (MUST NOT be installed until after the fireplace is inserted into the cavity). Max 19mm



Top Standoffs

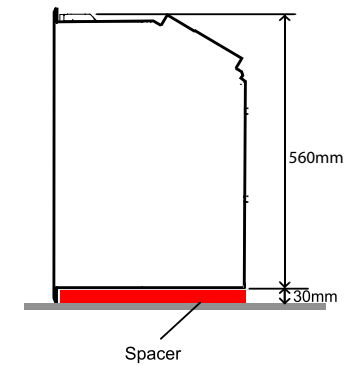
Nogging: Must sit above the top standoffs

Side Standoff Rails

⊠ = Clearances; must cover the full width of the appliance

**Masonry Installation Requirements**

The masonry install requires a spacer below the appliance to allow room for the fascia to sit flush with the ground.

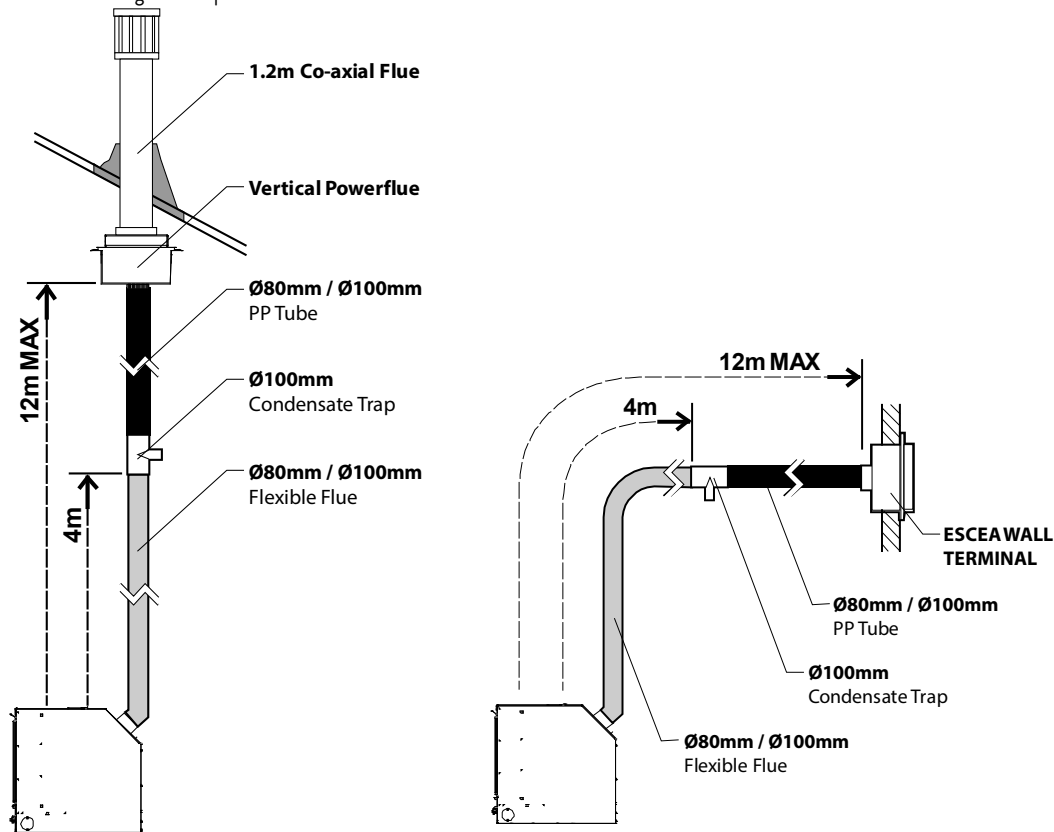


Spacer

## Flue Information

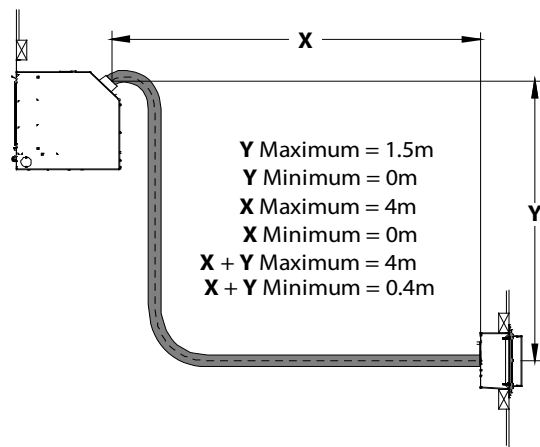
### Flue Configuration (If more than 4m flue length is required)

If your flue system is greater than 4m long (as shown in diagrams below), then a flexible flue with condensate trap and rigid PP tube flue lengths is required.



**Vertically Terminated:** (utilises the escea vertical power flue enclosure kit)

**Horizontally Terminated:** (utilises the escea horizontal power flue enclosure kit)



- Y Maximum = 1.5m
- Y Minimum = 0m
- X Maximum = 4m
- X Minimum = 0m
- X + Y Maximum = 4m
- X + Y Minimum = 0.4m

**Horizontally Terminated Downwards Flueing** (utilises the escea horizontal power flue enclosure kit)

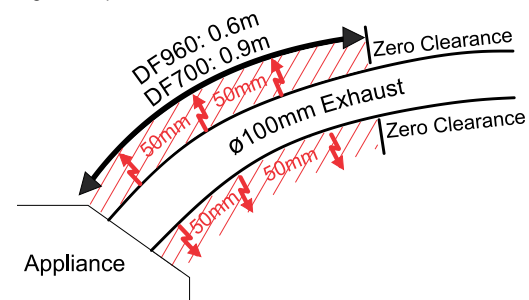
## Clearances

### Chassis and Flue Clearance

The fire chassis is zero clearance rated.

A 50mm clearance must be maintained from the exhaust flue for the first 0.9m of flexi flue from the appliance (see diagram below).

For information on running the PolyPro flue, see the manual on our website.

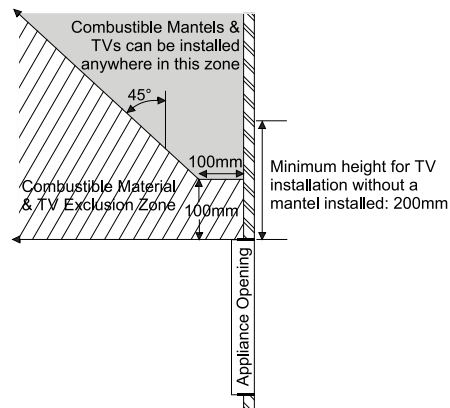


### Television & Mantle Clearance

The diagram (shown below) shows the recommended minimum clearances for the location of any electrical equipment (such as Plasma TV, LCD TV or home theatre) above a DF gas fire. A mantel/recess is not required to comply with our recommendation of TV installation.

Note: dimensions from the top edge of the air opening.

Note: The television clearance recommendations are to be treated as a suggestion of a suitable installation only. It is the responsibility of the end user to check the installation instructions of their electrical appliances to ensure that the location in relation to the gas fire is suitable. Escea in no way guarantees or takes responsibility that the recommended installation suggestion will be suitable for all electrical or home entertainment appliances.



### Floor Clearances

If the appliance is mounted above a "hard floor" (including but not necessarily limited to: wood, wood veneers, ceramic tiles, concrete and stone) then it may be positioned with the bottom of the fascia coincident with the finished floor if desired. Note: The appliance has been tested and certified to AS4553:2008 and the maximum allowable temperature rise above ambient of any combustible floor is  $\Delta T$  of 65C. Therefore any material used must be chosen to be able to operate without damage or degradation with a  $\Delta T$  of 65C.

If the appliance is mounted above a "Soft floor" (including but not necessarily limited to: carpets, Vinyl, carpet tiles, rugs and mats) then we recommend a distance of 100mm from the bottom of the fascia to the finished floor.

### Hearth

A Hearth is not required, however it may be used for decorative purposes or for protection of soft/sensitive flooring as stated in the section above to allow a smaller floor clearance. The hearth should not obscure the front face of the fire, must protrude at least 200mm from the face of the fireplace and be at least the width of the appliance.