

*Lopi*TM

Freestanding Gas Stoves



The **Lopi Cypress™** and **Greenfield™** gas stoves feature a massive 749 square inches of high quality fire-viewing ceramic glass! The three-sided wrap around glass design allows you to enjoy the stunning fire display from any angle in the room. The hot glass is protected with a Clear Fire Safety Screen which is so fine that it is almost invisible!

These units are powerhouse heaters, heating up to 185sqm and an exceptional turndown ratio of 70% on NG and 80% on LPG, giving you the ultimate control over the heat output level. A downward pointing accent light beautifully highlights the interior from the top down, giving the fire a radiance never before offered in a freestanding stove. This adjustable light can also be used when the fire is turned on low, or even off to highlight the stove interior for year round enjoyment!

Lopi™ Cypress™ GS2

The Lopi Cypress™ features sleek, clean lines for a unique and timeless presentation of fire that lends itself to a wide range of architectural styles.

The gentle radius-edges throughout accentuates its versatile design with the three sided glass design allowing you to view the incredible dancing flames from any angle in the room.

Lopi™ Greenfield™ GS2

The Lopi Greenfield™ cast iron gas stove is a true revolution in stove design. Combining clean lines, graceful proportionality and traditional cast appeal, this stove can be considered a piece of furniture as well as a true heat source in your home.



Cypress™ & Greenfield™ GS2 Specifications

Mj Input	Heating Capacity
40 Mj High	Up to 185sqm*
11.9 Mj Low NG	
8.1 Mj Low LPG	8.8kW
Energy Star Rating	Burner Type
3.0	Dual Burner Ember-Fyre™ GreenSmart™ 2
Media Type	Remote
Ember-Fyre™ Log Set	GS2 Standard Inclusion
Accent Lighting	Glass Size
Top Lighting Standard	Front: 667mm wide x 411mm high Sides: 268mm wide x 390mm high

*Heating capacity varies according to the size of closed off area, ceiling height, floor plan, insulation and outside air temperature



Cypress™ & Greenfield Specifications

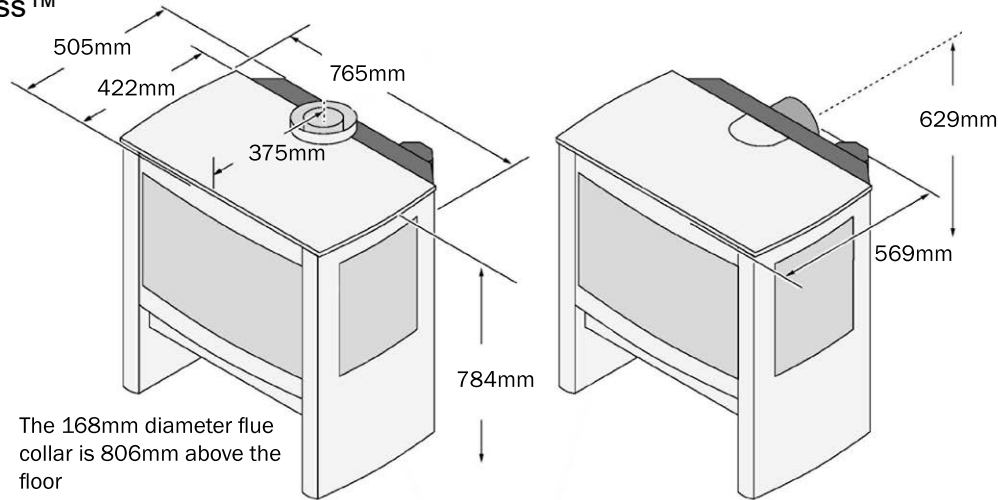
Radiant & Convective Heating

The Cypress and Greenfield provides heat in two ways. Radiant heat comes off the stove in straight lines. Think of warming your backside around a camp fire. Radiant heat gives gentle warmth and comfort to everything in the room.

Convection heat works like an forced-air furnace. The built in heat exchanger harnesses the radiant energy from the fire and transfers it to the air as it naturally circulates around the firebox. The super-heated air is then delivered not just into the room but throughout the house through natural convection. The addition of the standard 165 CFM blower increases the flow of air around the firebox. This makes it easier to move the heat out of the room and into the rest of the house.

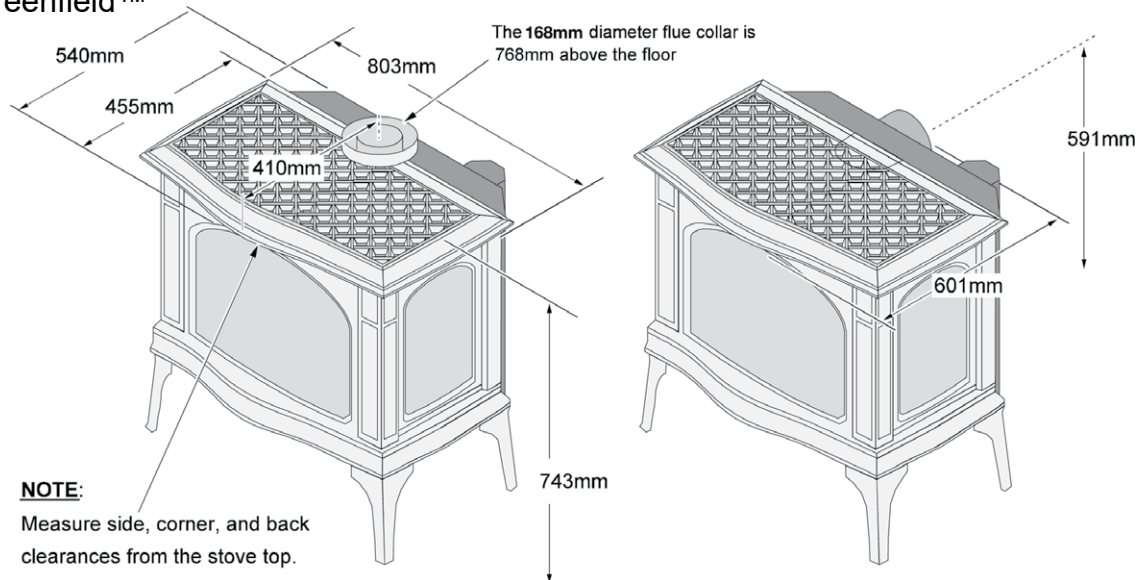
Firebox Dimensions and Clearances

Cypress™



The 168mm diameter flue collar is 806mm above the floor

Greenfield™



The 168mm diameter flue collar is 768mm above the floor

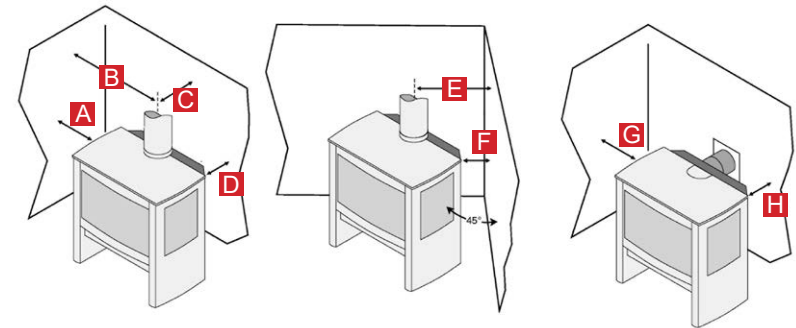
NOTE:
Measure side, corner, and back clearances from the stove top.

Stove Clearances to Combustibles

Straight Wall Installation

Corner Installation

Rear Vent Installation



A = Side Wall To Unit 254mm

B = Side Wall To Flue Center 638mm

C = Back Wall To Flue Center 175mm

D = Back Wall To Unit 127mm

E = Corner To Flue Center 420mm

F = Corner To Unit 127mm

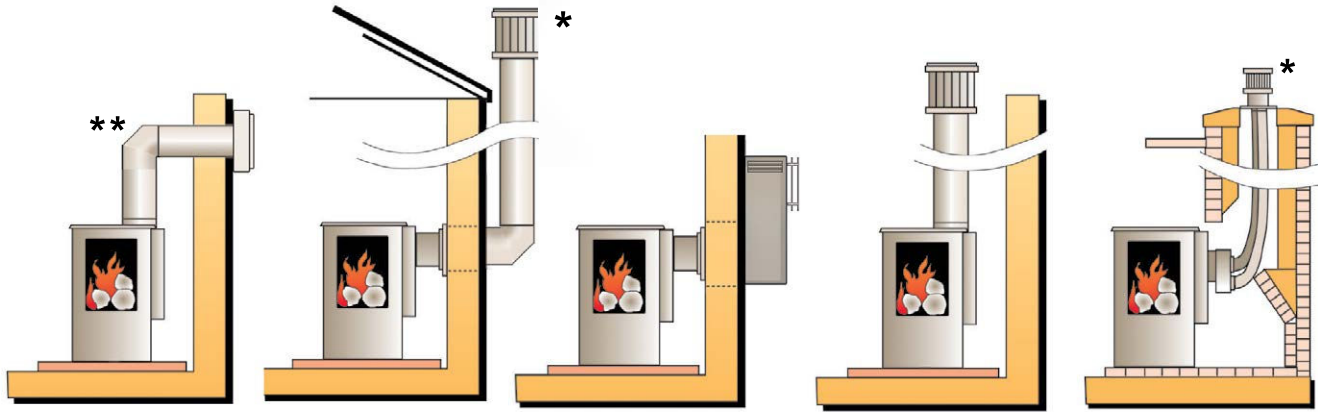
G = Side Wall To Unit 254mm

H = Back Wall To Unit 210mm

Floor Protection Requirements

When the stove is installed directly on carpeting, vinyl or other combustible material other than wood flooring or a high pressure laminate wood floor, the stove must be installed on a metal or wood protection panel extending the full width and depth of the heater (Suggested Minimum Pad Size: 810mm wide x 510mm deep.)

Flueing Options



Always refer to and use the installation manual for complete installation information. Dimensions are subject to change at any time

* A minimum of 3.6 metres of vertical flue is required from base of heater when rear vented. **Refer to Installation Manual**

** A minimum of 900mm of vertical flue is required when venting horizontally from the top of the stove. **Refer to Installation Manual**



GreenSmart 2™ Remote

A remote control is supplied as standard allowing you to control the GreenSmart 2™ features

GreenSmart™ Pilot

Both electronic (IPI) & continuous (CPI) pilot modes

Comfort Control™

High turn down ratio with unique dual burner

Accent lighting

Adding a warm glow to your fire for added atmosphere



Smart or On/Off Thermostat Modes

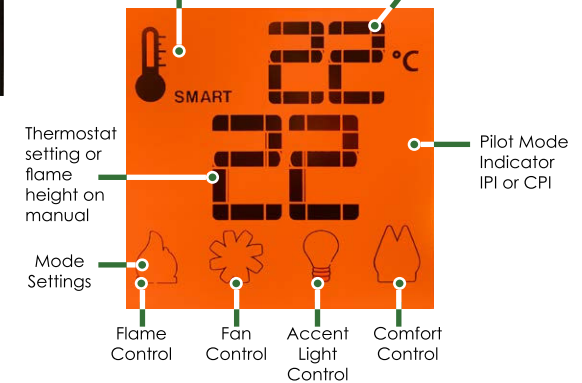
An option that automatically adjusts flame height to a set temperature and to switch on/off

6 Speed Blower

For increased transfer of convection heat

Remote Features

- Manual
 - Thermostat
 - Smart Thermostat
- Room Temperature (Celsius or Fahrenheit)



Authorised Lopi Dealer:



Proudly Supporting



STEVE WAUGH FOUNDATION
www.stevewaughfoundation.com.au



Distributed in Australia
by Dragon Wholesaling Pty Ltd

Ph. 1800 064 234
www.lopi.com.au

Note: Improper installation of your gas appliance or failure to operate it in accordance to the guidelines detailed in the installation manual may negate warranty and endanger your home and family. Installation information is available on our website at www.lopi.com.au. We recommend all Lopi appliances be installed and maintained on an annual basis by your local authorised Lopi dealer.