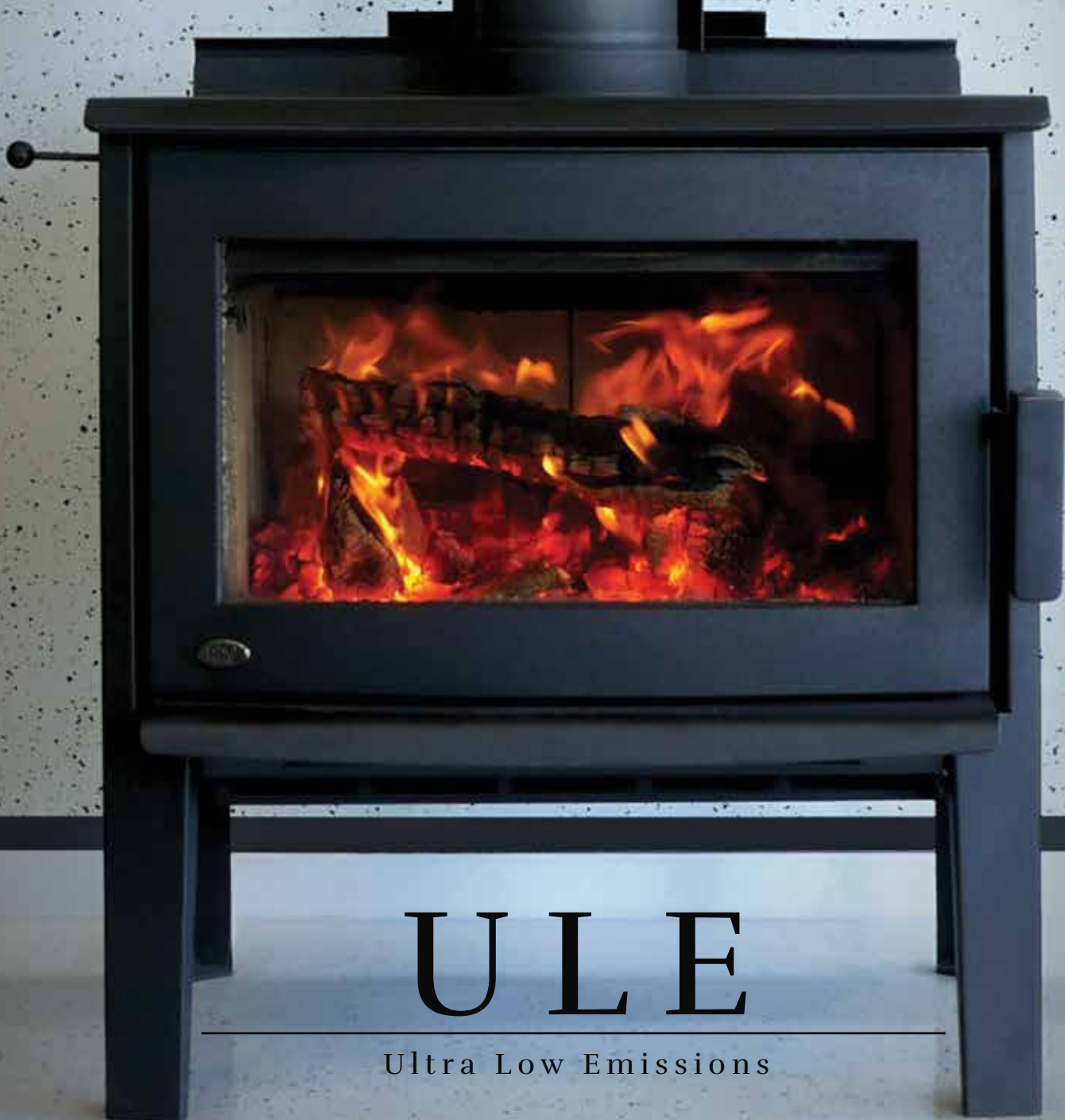


# YUNCA®

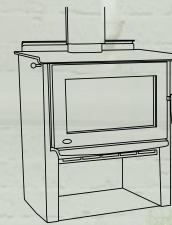


ENGINEERING A RENEWABLE FUTURE



## ULE

Ultra Low Emissions



### Monte Euro

A merging of styles to give a popular European look with convenient wood store.

Emissions:	0.4grms
Efficiency:	73%
Max Efficiency:	82%
ULE Approved:	✓
Hot Water Ready:	✓

### Monte BASE Clearances

Rear:	200mm
Side:	450mm
Corner:	280mm

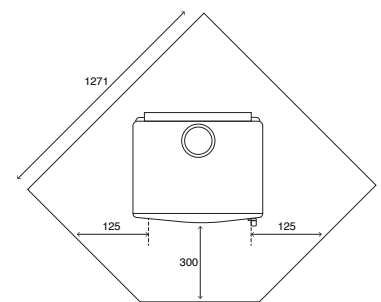
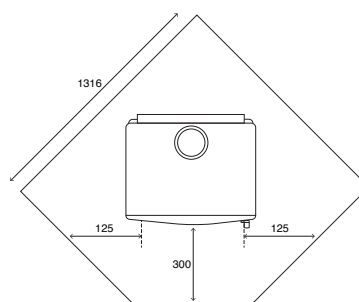
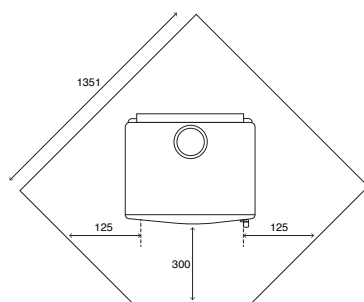
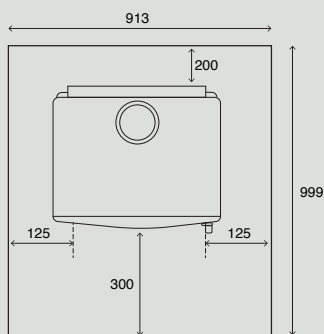
### Monte LEG Clearances

Rear:	200mm
Side:	435mm
Corner:	245mm

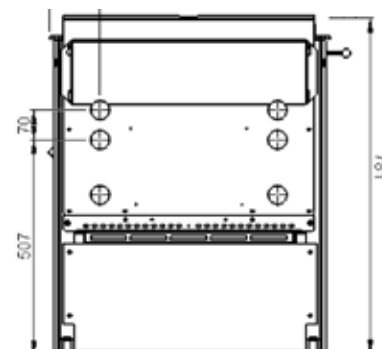
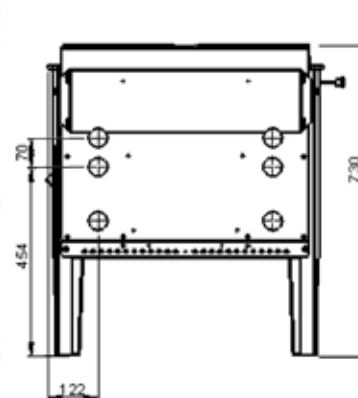
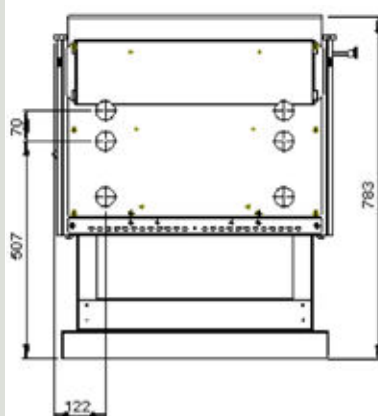
### Monte EURO Clearances

Rear:	200mm
Side:	350mm
Corner:	200mm

### Standard Floor Protector



### Hot Water Connections



Find out more about the Yunca Monte ECO



# Monte Eco

---

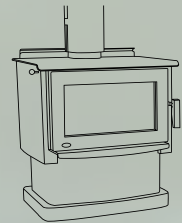
Only the most environmentally friendly wood heaters earn the ULE (Ultra Low Emission) certification, which requires wood heaters to produce less than 0.5g of smoke for every 1kg of wood you burn

With an impressive 0.3grms emissions, the Yunca ECO proudly sits as one of Australia's cleanest burning wood heaters, and wears the ULE badge with honour.

Assembled in Australia

- Efficiency up to 82% (average 73%)
- Emissions 0.3grms (ULE Approved)
- Heating capacity of over 200 m2
- Durable 10mm solid cooktop
- Optional two-speed fan
- Optional hot water wet back

Experience the Yunca Monte ECO and enjoy a home that is both warm and environmentally conscious.



#### Monte Base

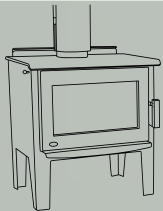
A robust base styling to go with Monte's large glass area.



# Why choose Yunca?

For over 40 years, Yunca heaters have not only kept New Zealanders warm but have also maintained a commitment to environmental sustainability, boasting some of the cleanest emissions worldwide, in alignment with preserving New Zealand and Australia's natural environments. They continue to uphold their dedication to excellence by offering a comprehensive range of parts for models manufactured over four decades ago – wood heaters that are still going strong today.

Available Australia-Wide through Pivot Stove & Heating's network



### Monte Leg

A traditional styled fire with modern performance features and contemporary slim lines.



Optional Hot Water

[pivotstove.com.au](http://pivotstove.com.au)